

DRAWING NO. 95-2739-00

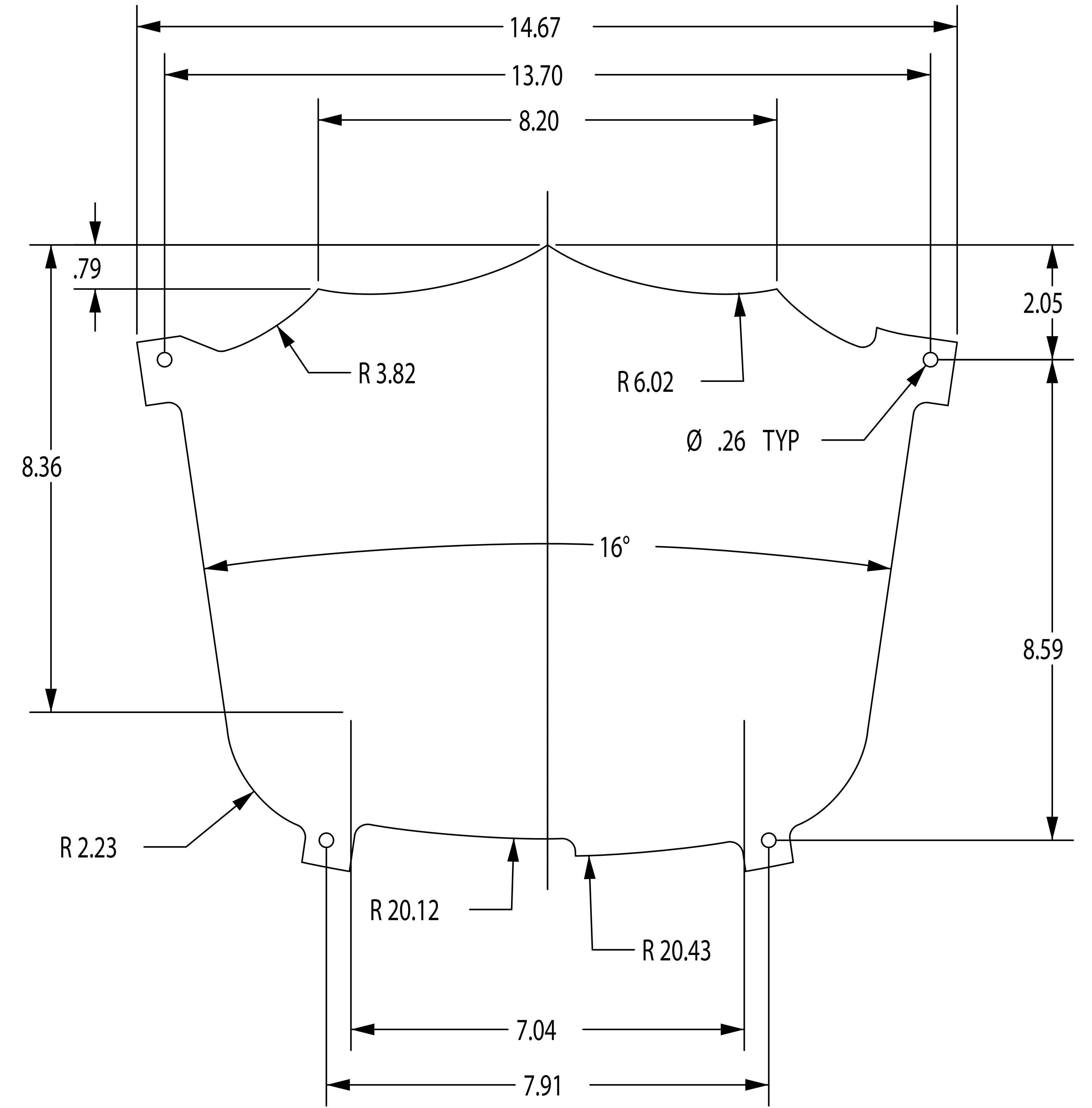
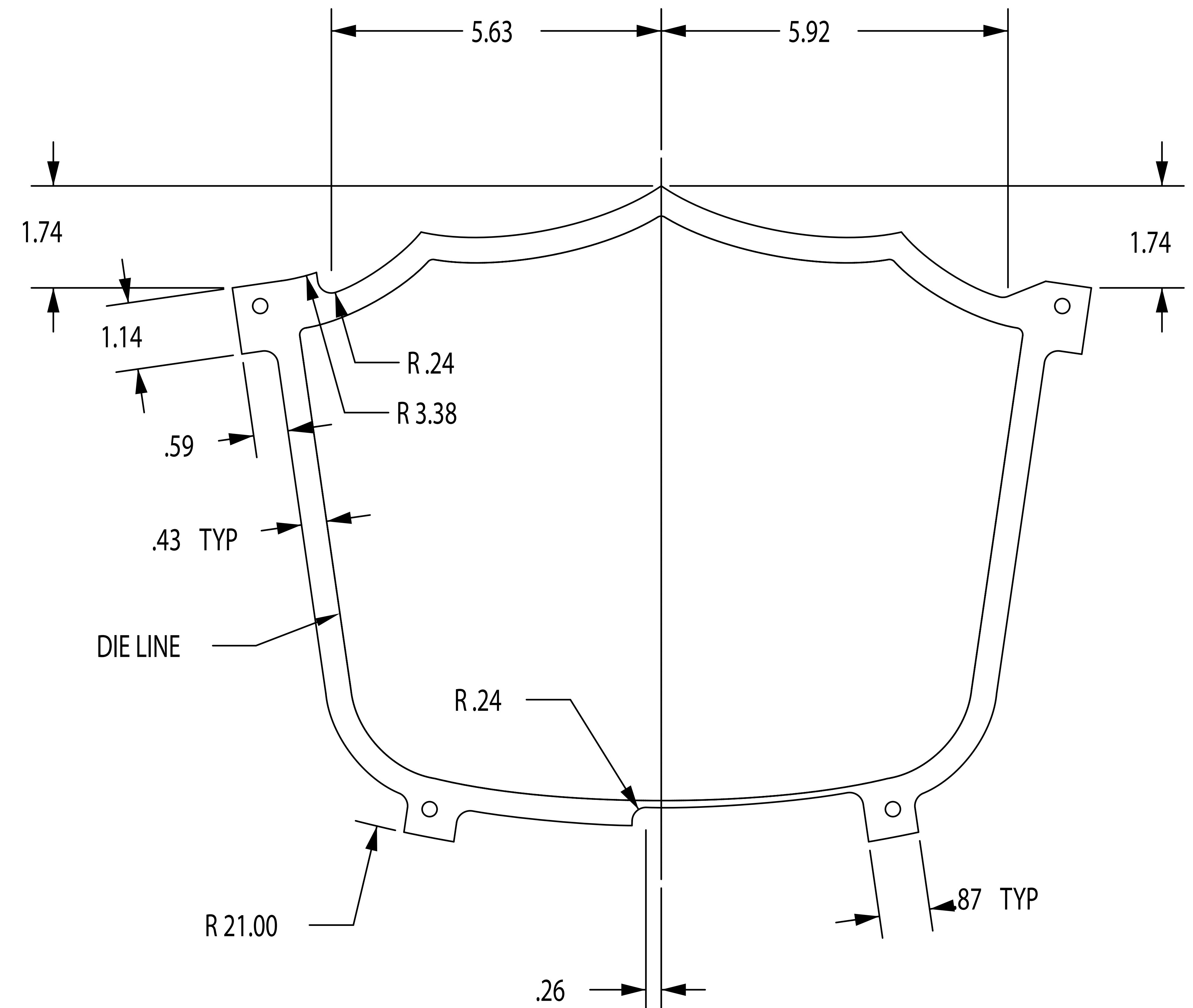
REV.	ZONE	DESCRIPTION	E.C.N.#	BY	DATE
A	-	INITIAL RELEASE	-	FAC	8/29/05

D

C

B

A



NOTES:
 1.) MATERIAL: 1/8" WALL THK, PETG
 2.) ALL DIMENSIONS ARE A MIRROR IMAGE OF THE OPPOSITE SIDE. (ALONG CENTERLINE)

TOLERANCES ARE:		ANGLES ± 0°30'
FRACTIONS	DECIMALS	
± 1/32	XX ± .01 XXX ± .005	
UNLESS OTHERWISE SPECIFIED, DIMENSIONS ARE IN INCHES.		

DO NOT SCALE DRAWING.
 THIS PRINT IS THE PROPERTY OF HAPP CONTROLS INC. AND SHALL NOT BE REPRODUCED, COPIED NOR DISCLOSED TO OTHERS. PRINT TO BE RETURNED UPON REQUEST.

HAPP CONTROLS, inc.
 Manufacturer of Electronic Controls

DRAWING NAME: BLANK PLEXI FOR SHIELD TOPPER

DRAWN BY: FAC DATE: 8/29/05 CHECKED BY: DATE:

SIZE: B SCALE: FULL SHEET: 1 of 1 DRAWING NO.: 95-2739-00 REV.: A