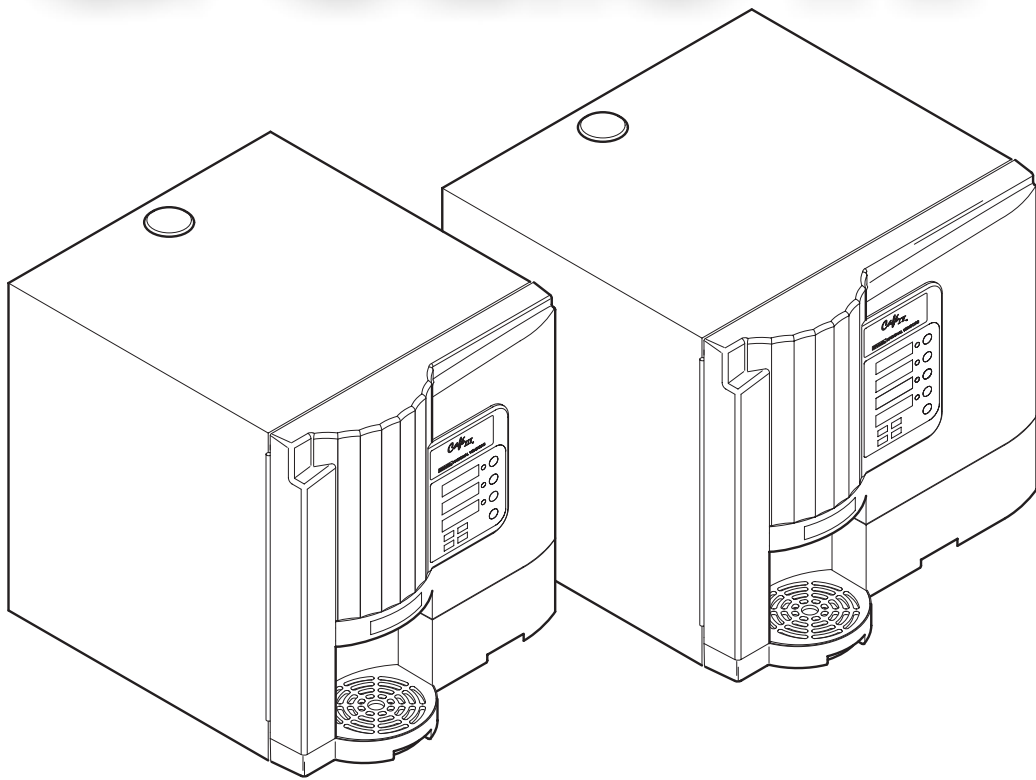


Model 680, 681, 682, 683

Café III & Café IV



PARTS MANUAL

CRANE NATIONAL VENDORS
12955 Enterprise Way
Bridgeton, Missouri 63044-1200
(314) 298-3500
www.nationalvendors.com

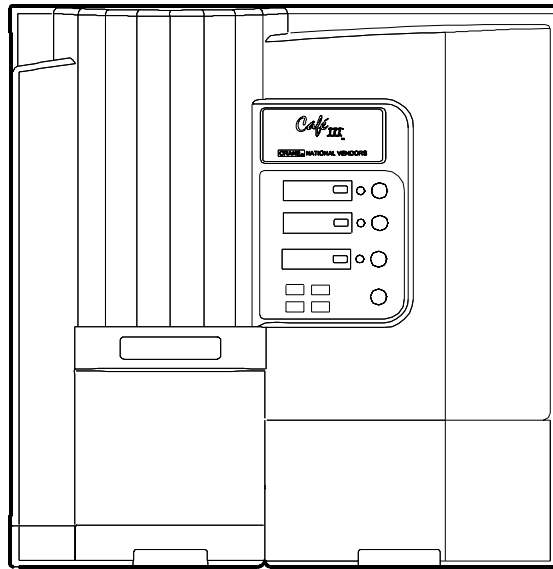


List of Figures

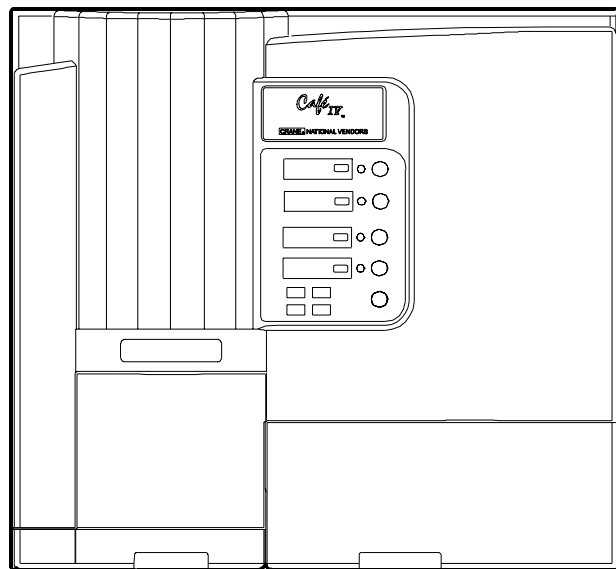
| Figure | Title | Page |
|--------|---|------|
| 1. | Overall Machine | 2 |
| 2. | Door Assembly | 4 |
| 3. | Upper Cabinet Assembly - Part 1 | 6 |
| 4. | Upper Cabinet Assembly - Part 2 | 8 |
| 5. | Upper Cabinet Assembly - Part 3 | 10 |
| 6. | Upper Cabinet Assembly - Part 4 | 12 |
| 7. | Upper Cabinet Assembly - Part 5 | 14 |
| 8. | Exhaust Fan..... | 16 |
| 9. | Brewer Pump Assembly | 18 |
| 10. | Brewer Drive Assembly..... | 20 |
| 11. | Brewer Assembly..... | 22 |
| 12. | Carrier and Cam Follower Assembly | 24 |
| 13. | Power Panel Assembly | 26 |
| 14. | Paper Cutter Assembly | 28 |
| 15. | Water Tank Assembly Detail..... | 30 |
| 16. | Check Valve Assembly and Inlet Valve Assembly | 32 |
| 17. | Product Shelf Assemblies | 34 |
| 19. | Mixing Bowl, Vent & Whipper Assemblies - Fresh Brew - Café III..... | 36 |
| 20. | Mixing Bowl, Vent & Whipper Assemblies - Fresh Brew Café IV | 38 |
| 21. | Mixing Bowl, Vent & Whipper Assemblies - Freeze Dry Café III and IV | 40 |
| 22. | Vents for Alternate Configurations..... | 42 |
| 23. | Mixing Bowl With Whipper | 44 |
| 24. | Base Door Assembly | 46 |
| 25. | Base Cabinet Assembly | 48 |
| 26. | Upper Cabinet Interface Components..... | 50 |
| 27. | Coin Module | 52 |
| 28. | Upper Cabinet and Coin Module Cabinet Interconnection | 54 |
| 37. | Bottled Water Pump Accessory | 60 |
| 38. | Everpure Water Filter Accessory..... | 62 |

List of Tables

| Table | Title | Page |
|-------|---|------|
| 1 | Overall Machine | 3 |
| 2 | Door Assembly | 5 |
| 3 | Upper Cabinet Assembly - Part 1 | 7 |
| 4 | Upper Cabinet Assembly - Part 2 | 9 |
| 5 | Upper Cabinet Assembly - Part 3 | 11 |
| 6 | Upper Cabinet Assembly - Part 4 | 13 |
| 7 | Upper Cabinet Assembly - Part 5 | 15 |
| 8 | Exhaust Fan | 17 |
| 9 | Brewer Pump Assembly | 19 |
| 10 | Brewer Drive Assembly | 21 |
| 11 | Brewer Assembly | 23 |
| 12 | Carrier and Cam Follower Assembly | 25 |
| 13 | Power Panel Assembly | 27 |
| 14 | Paper Cutter Assembly | 29 |
| 15 | Water Tank Assembly Detail | 31 |
| 16 | Check Valve Assembly and Inlet Valve Assembly | 33 |
| 17 | Product Shelf Assemblies | 35 |
| 18 | Canister, Chute, and Canister Spout Stop Usage | 35 |
| 19 | Mixing Bowl, Vent & Whipper Assemblies - Fresh Brew - Café III | 37 |
| 20 | Mixing Bowl, Vent & Whipper Assemblies - Fresh Brew Café IV | 39 |
| 21 | Mixing Bowl, Vent & Whipper Assemblies - Freeze Dry Café III and IV | 41 |
| 22 | Vents for Alternate Configurations | 43 |
| 23 | Mixing Bowl With Whipper | 45 |
| 24 | Base Door Assembly | 47 |
| 25 | Base Cabinet Assembly | 49 |
| 26 | Upper Cabinet Interface Components | 51 |
| 27 | Coin Module | 53 |
| 28 | Upper Cabinet and Coin Module Cabinet Interconnection | 55 |
| 29 | Logo and Label Assembly | 56 |
| 30 | Bag Assembly b6800005 - u.s. | 56 |
| 31 | Bag Assembly B6800006 - french canadian..... | 57 |
| 32 | Bag Assembly B6800007 - france | 57 |
| 33 | Bag Assembly B6800008 - Germany | 58 |
| 34 | Bag Assembly B6800009 - U.K. | 58 |
| 35 | Upper CAbinet Assembly - Part 8 - Wire Harnesses..... | 59 |
| 36 | Upper Cabinet Assembly - Part 9 - Tubing | 59 |
| 37 | Bottled Water Pump Accessory | 61 |
| 38 | Everpure Water Filter Accessory | 63 |



Café IIITM



Café IVTM

680p0105

Café III and Café IV

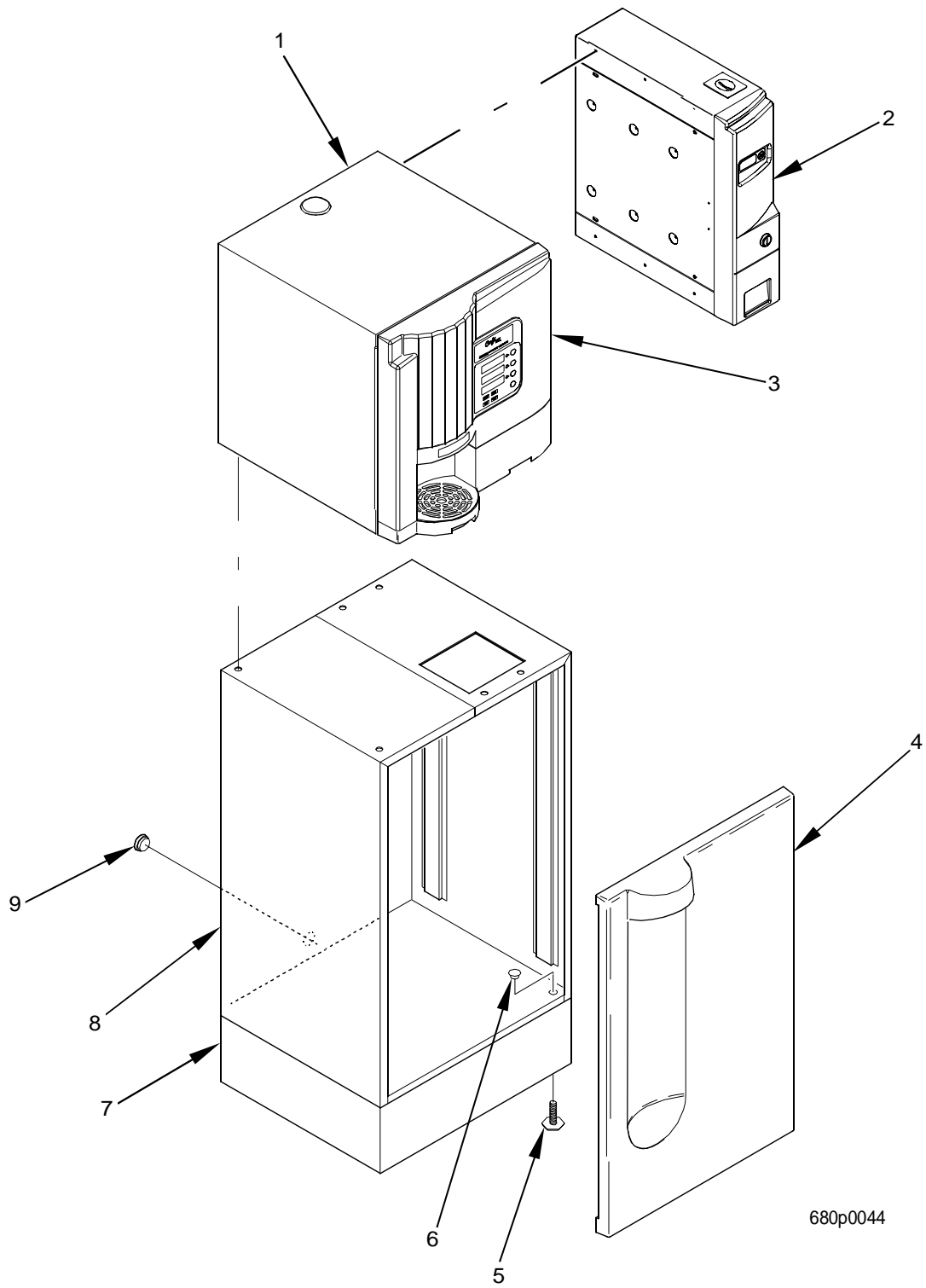
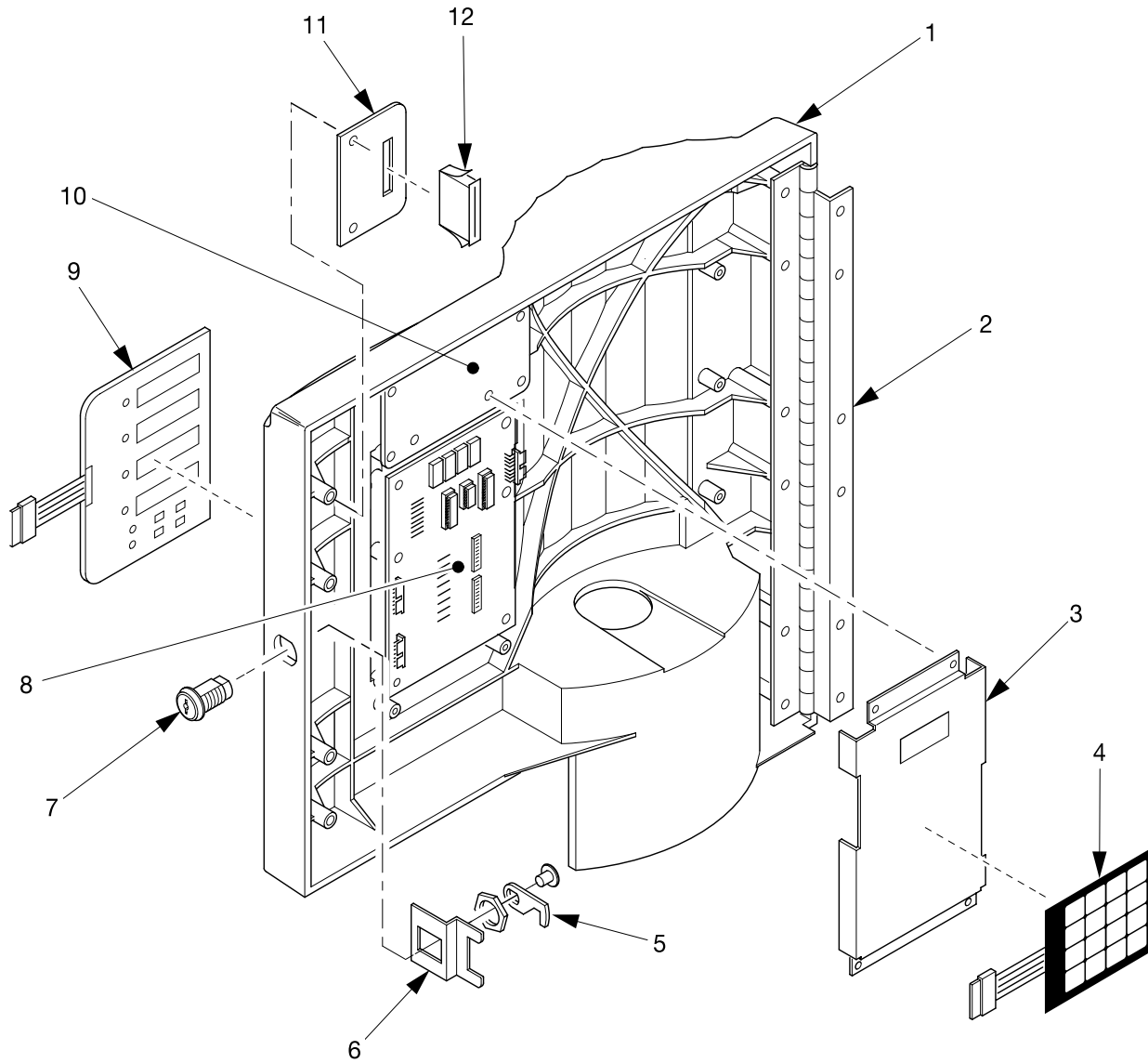


Figure 1. Overall Machine

TABLE 1. OVERALL MACHINE

| INDEX | PART NUMBER | DESCRIPTION | QTY |
|-------|-------------|---|-----|
| 1 | - | UPPER CABINET (FIGURES 3, 4, 21, 19, 20, 5, 6, 7) | - |
| 2 | - | COIN MODULE (FIGURE 27) | OPT |
| 3 | - | UPPER DOOR (FIGURE 2) | - |
| 4 | - | BASE DOOR (FIGURE 24) | - |
| 5 | 6401809 | LEVELER - BASE CABINET | 4 |
| 6 | 6801041 | HOLE PLUG - .25DIA | 4 |
| 7 | 6821068 | RIVET ASSEMBLY - SKIRT- BASE CABINET | 1 |
| 8 | 6821072 | BASE CABINET - WARM WHITE | 1 |
| | 6821073 | BASE CABINET - CHARCOAL | |
| | 6821074 | BASE CABINET - GLACIER SILVER | |
| 9 | 6401851 | HOLE PLUG - .594DIA | 1 |

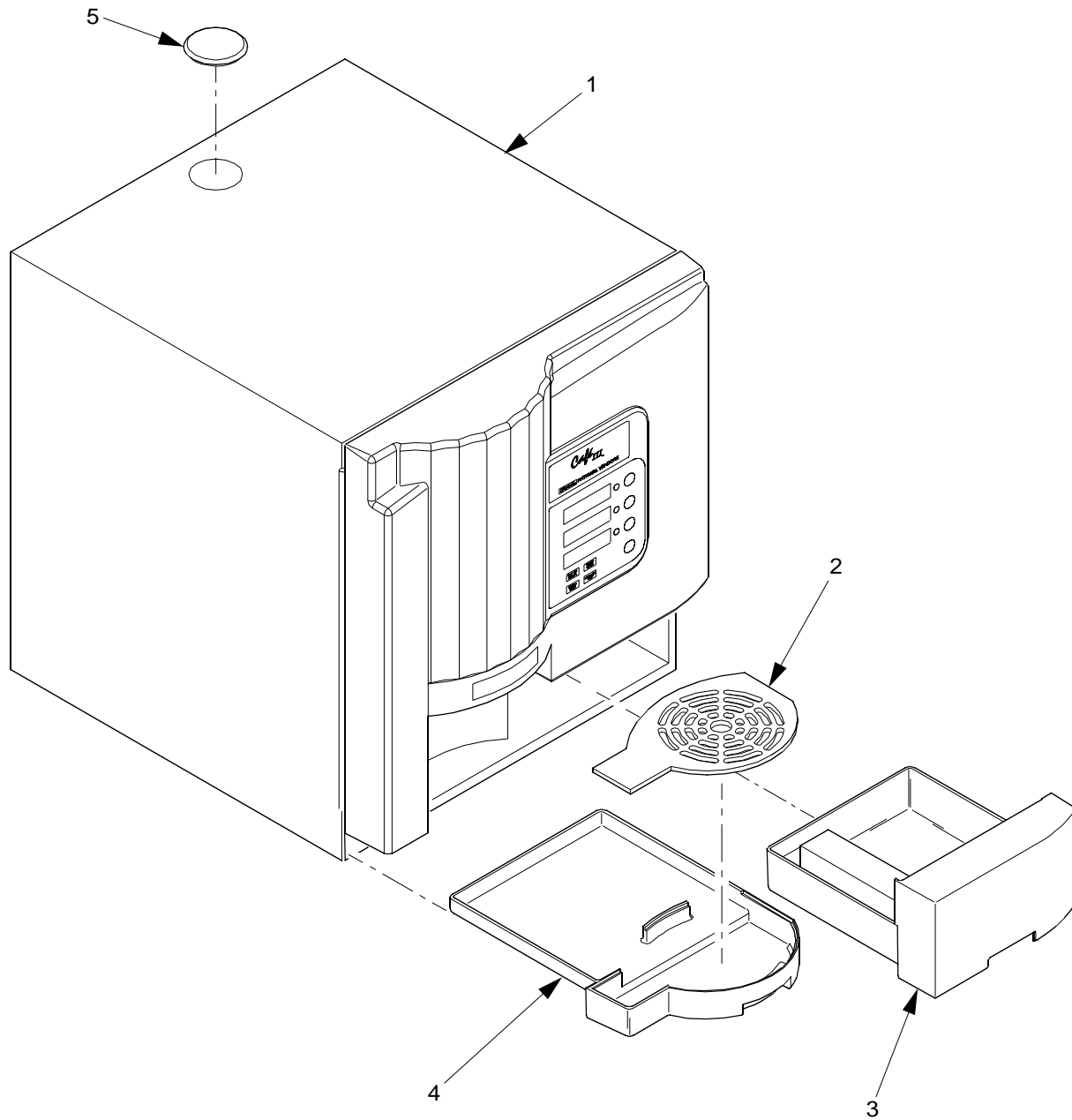


680p0027

Figure 2. Door Assembly

TABLE 2. DOOR ASSEMBLY

| INDEX | PART NUMBER | DESCRIPTION | QTY |
|-------|-------------|--|-----|
| 1 | 6802013 | DOOR - CAFÉ III - WARM WHITE | 1 |
| | 6802014 | DOOR - CAFÉ III - CHARCOAL | |
| | 6802015 | DOOR - CAFÉ III - GLACIER SILVER | |
| | 6822005 | DOOR - CAFÉ IV - WARM WHITE | |
| | 6822006 | DOOR - CAFÉ IV - CHARCOAL | |
| | 6822007 | DOOR - CAFÉ IV - GLACIER SILVER | |
| 2 | 6802027 | HINGE - WARM WHITE | 1 |
| | 6802028 | HINGE - CHARCOAL | |
| | 6802029 | HINGE - GLACIER SILVER | |
| 3 | 6802022 | COVER - SERVICE DISPLAY PCB | 1 |
| 4 | 6802069 | SERVICE KEYPAD ASSEMBLY | 1 |
| 5 | 6401053 | CAM - LOCK - CHICAGO #6 365Z | 1 |
| 6 | 6801071 | STRIKE - DOOR | 1 |
| 7 | 6801052 | LOCK - DOOR - #1801 - KEY CODE NV 407 | 1 |
| - | 2221920 | KEY - CHICAGO LOCK #1801 NV 407 (NOT SHOWN) | 1 |
| 8 | 6806022 | PCB AND INSTRUCTION ASSEMBLY | 1 |
| 9 | 6802061 | MEMBRANE SELECTION ASSEMBLY - CAFÉ III (U.S./U.K.) | 1 |
| | 6802062 | MEMBRANE SELECTION ASSEMBLY - CAFÉ III (GERMANY) | |
| | 6802063 | MEMBRANE SELECTION ASSEMBLY - CAFÉ III (FRANCE) | |
| | 6802064 | MEMBRANE SELECTION ASSEMBLY - CAFÉ III (FRENCH CANADIAN) | |
| | 6822025 | MEMBRANE SELECTION ASSEMBLY - CAFÉ IV (U.S./U.K.) | |
| | 6822028 | MEMBRANE SELECTION ASSEMBLY - CAFÉ IV (FRENCH CANADIAN) | |
| | 6822027 | MEMBRANE SELECTION ASSEMBLY - CAFÉ IV (FRANCE) | |
| | 6822026 | MEMBRANE SELECTION ASSEMBLY - CAFÉ IV (GERMAN) | |
| 10 | 6802023 | PLATE - SERVICE PCB INSTRUCTION | 1 |
| 11 | 6801028 | MOUNTING - MAGNET | 1 |
| 12 | 6801051 | MAGNETIC CATCH - SNAP IN | 1 |



680p0053

Figure 3. Upper Cabinet Assembly - Part 1

TABLE 3. UPPER CABINET ASSEMBLY - PART 1

| INDEX | PART NUMBER | DESCRIPTION | QTY |
|-------|-------------|--|------|
| 1 | 6801098 | CABINET ASSEMBLY - WARM WHITE (CAFÉ III) | 1 |
| | 6801099 | CABINET ASSEMBLY - CHARCOAL (CAFÉ III) | |
| | 6801100 | CABINET ASSEMBLY - GLACIER SILVER (CAFÉ III) | |
| | 6821095 | CABINET ASSEMBLY - WARM WHITE (CAFÉ IV) | |
| | 6821096 | CABINET ASSEMBLY - CHARCOAL (CAFÉ IV) | |
| | 6821097 | CABINET ASSEMBLY - GLACIER SILVER (CAFÉ IV) | |
| 2 | 6802003 | GRATE - DRAIN TRAY | 1 |
| 3 | 6802042 | GROUND TRAY ASSEMBLY - CAFÉ III - WARM WHITE | 1 |
| | 6802043 | GROUND TRAY ASSEMBLY - CAFÉ III - CHARCOAL | |
| | 6802044 | GROUND TRAY ASSEMBLY - CAFÉ III - GLACIER SILVER | |
| | 6822019 | GROUND TRAY ASSEMBLY - CAFÉ IV - WARM WHITE | |
| | 6822020 | GROUND TRAY ASSEMBLY - CAFÉ IV - CHARCOAL | |
| | 6822021 | GROUND TRAY ASSEMBLY - CAFÉ IV - GLACIER SILVER | |
| 4 | 6802019 | DRAIN TRAY - CAFÉ III - WARM WHITE (CAFÉ III/IV) | 1 |
| | 6802020 | DRAIN TRAY - CAFÉ III - CHARCOAL (CAFÉ III/IV) | |
| | 6802021 | DRAIN TRAY - CAFÉ III - GLACIER SILVER (CAFÉ III/IV) | |
| 5 | 6801033 | PLUG - HOLE - 2 IN. DIA | 1 |
| - | 6822036 | DECAL - DOOR - MAXWELL HOUSE BRAND ASSEMBLY (CONTAINS ALL THE FOLLOWING ITEMS) - NOT SHOWN | OPT. |
| | 6822037 | DECAL - DOOR - MAIN | 1 |
| | 6822038 | DECAL - DOOR - LEFT | 1 |
| | 6820039 | DECAL - DOOR DRAIN TRAY | 1 |
| | 6820040 | DECAL - DOOR GROUND TRAY | 1 |

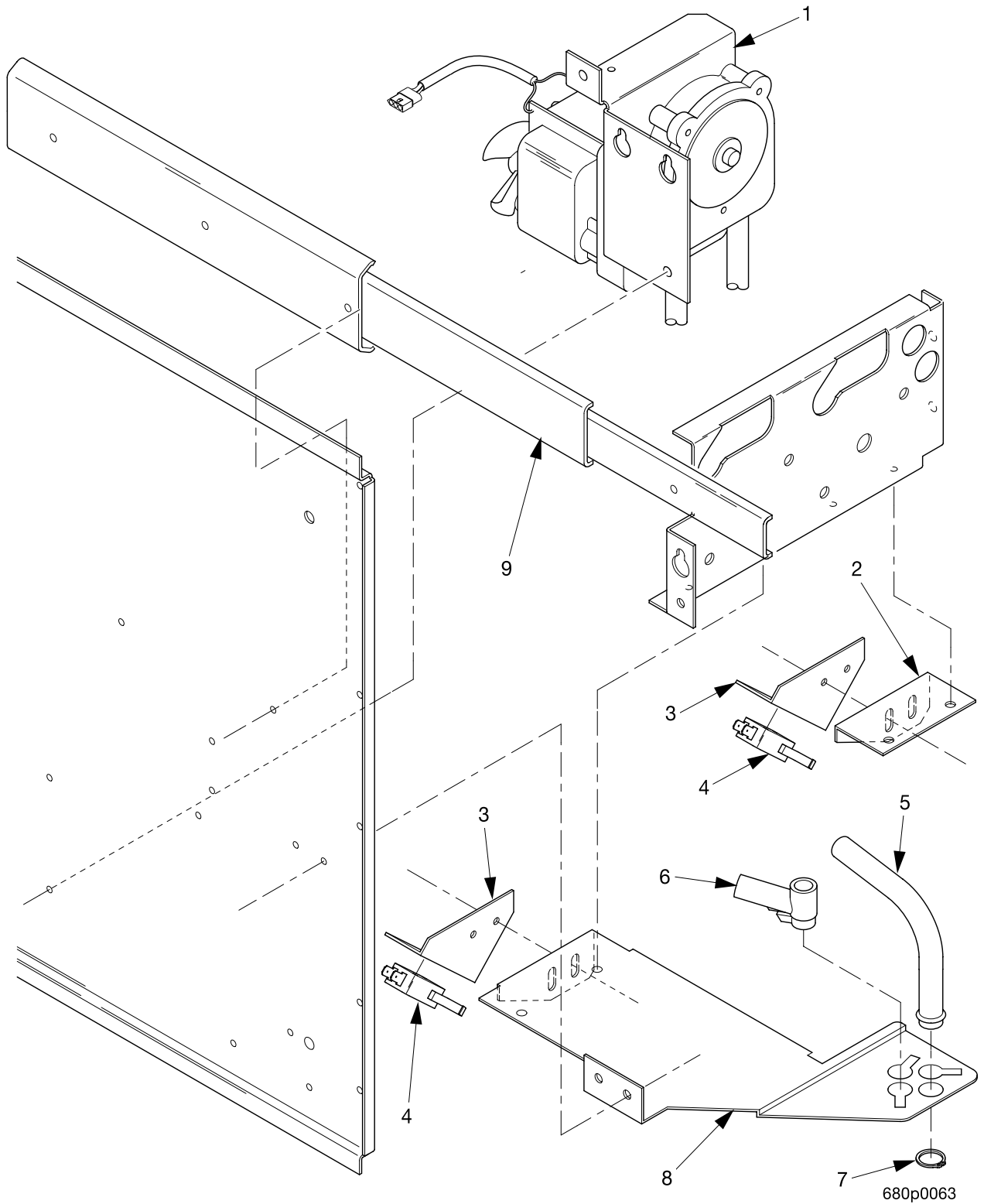
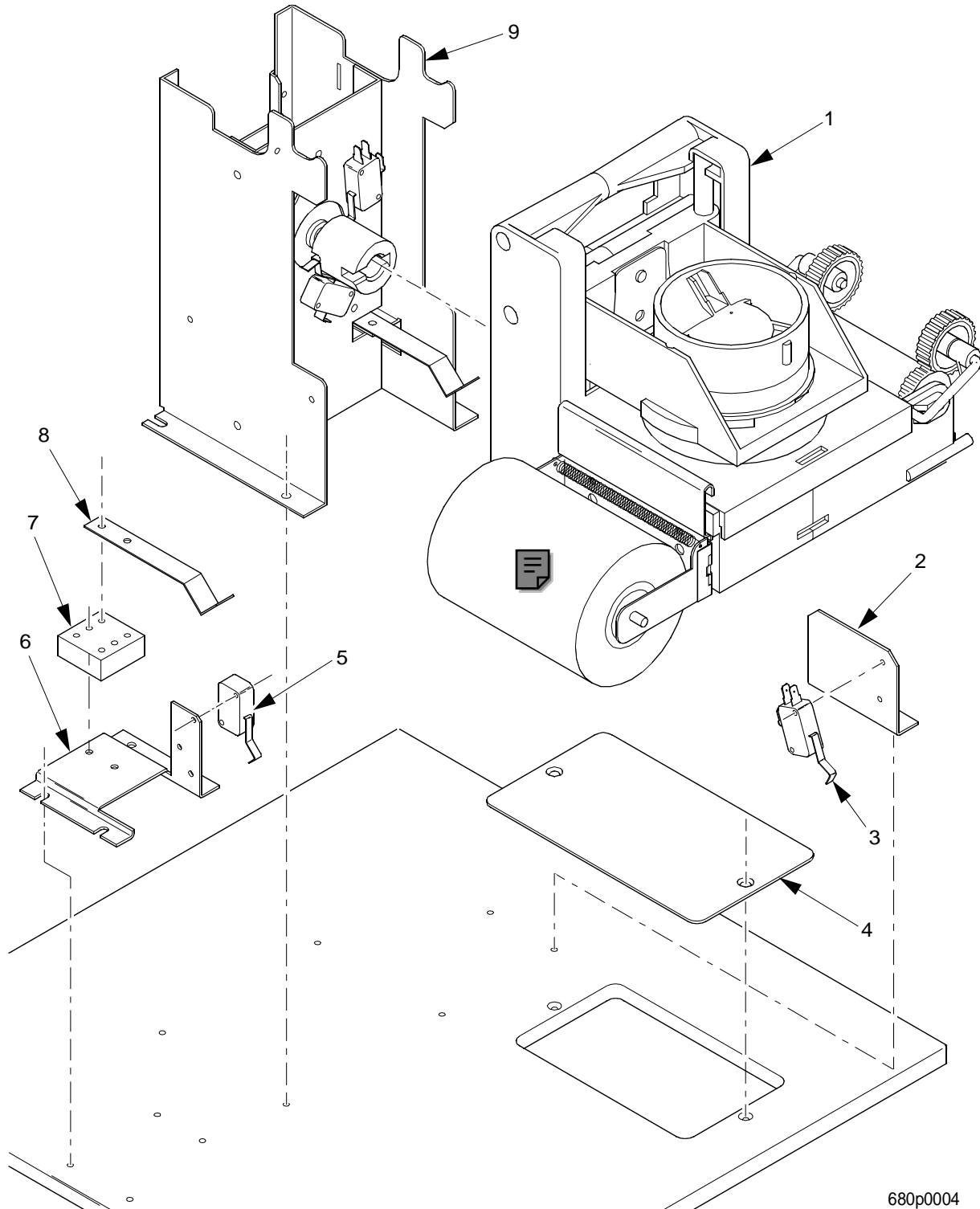


Figure 4. Upper Cabinet Assembly - Part 2

TABLE 4. UPPER CABINET ASSEMBLY - PART 2

| INDEX | PART NUMBER | DESCRIPTION | QTY |
|-------|-------------|--|-----|
| 1 | 6804015 | PUMP ASSEMBLY - BREWER - 115V (FIGURE 9) | 1 |
| | 6804075 | PUMP ASSEMBLY - BREWER - 230V (FIGURE 9) | 1 |
| 2 | 6821019 | MOUNTING-SWITCH-CAFE'4-FB | 1 |
| 3 | 6801073 | SWITCH MOUNTING-PAPER ROLL-FB | 2 |
| 4 | 5220108 | SWITCH (FILTER PAPER SENSING) - CAFÉ III - FB | 1 |
| | | SWITCH (FILTER PAPER SENSING) CAFÉ IV FB | 1 |
| 5 | 6407029 | NOZZLE - HOT WATER CAFÉ IV FB/FD/CHOC | 1 |
| | | NOZZLE - HOT WATER CAFÉ IV FD/FD/CHOC | |
| 6 | 6807012 | SPOUT - DISPENSING - CAFÉ III FB/FB | 2 |
| | | SPOUT - DISPENSING - CAFÉ III FB/CHOC | 3 |
| | | SPOUT - DISPENSING - CAFÉ III FD/CHOC | 3 |
| | | SPOUT - DISPENSING - CAFÉ IV FB/FB/CHOC | 3 |
| 7 | 6407030 | RETAINING RING - SELF LOCKING CAFÉ IV FB/FD/CHOC | 1 |
| | | RETAINING RING - SELF LOCKING CAFÉ IV FD/FD/CHOC | |
| 8 | 6801074 | BRACKET - NOZZLE | 1 |
| 9 | 6801053 | SLIDE - CANISTER SHELF | 1 |



680p0004

Figure 5. Upper Cabinet Assembly - Part 3

TABLE 5. UPPER CABINET ASSEMBLY - PART 3

| INDEX | PART NUMBER | DESCRIPTION | QTY |
|-------|-------------|---|-----|
| 1 | 6804081 | BREWER ASSEMBLY - CAFÉ III/IV (FIGURE 11) | 1 |
| 2 | 6801027 | MOUNTING - SWITCH - GROUNDS TRAY | 1 |
| 3 | 5220108 | SWITCH (GROUNDS TRAY/WASTE PAIL) | 1 |
| 4 | 6801029 | PLATE - COVER - GROUNDS | 1 |
| 5 | 5220108 | SWITCH (DRAIN TRAY) | 1 |
| 6 | 6801026 | MOUNTING - SWITCH/SPRING CLIP | 1 |
| 7 | 6801025 | INSULATOR - LEVEL PROBE - DRAIN TRAY | 1 |
| 8 | 6801042 | LOCKING SPRING | 2 |
| 9 | 6804016 | BREWER DRIVE ASSEMBLY (FIGURE 10) | 1 |

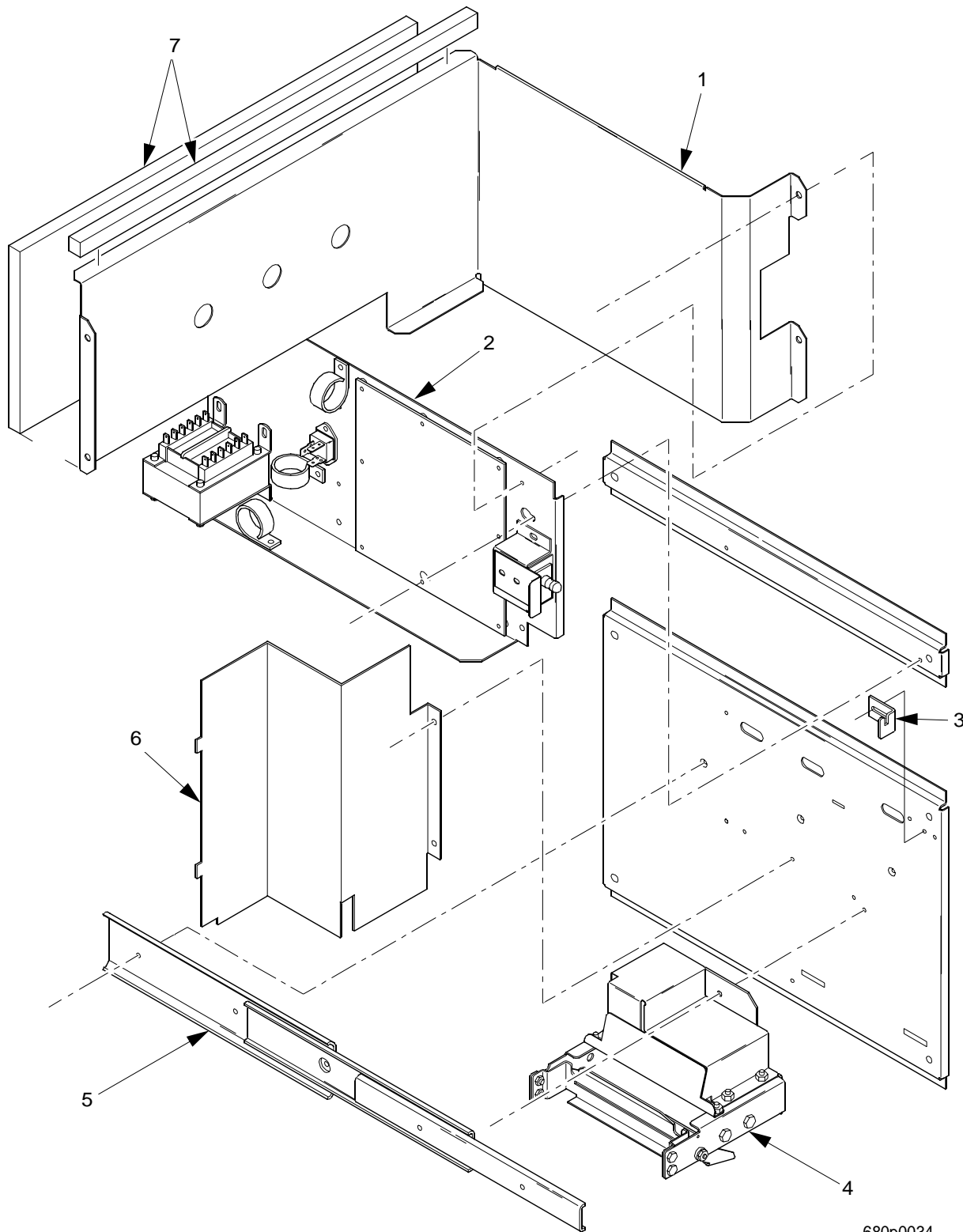
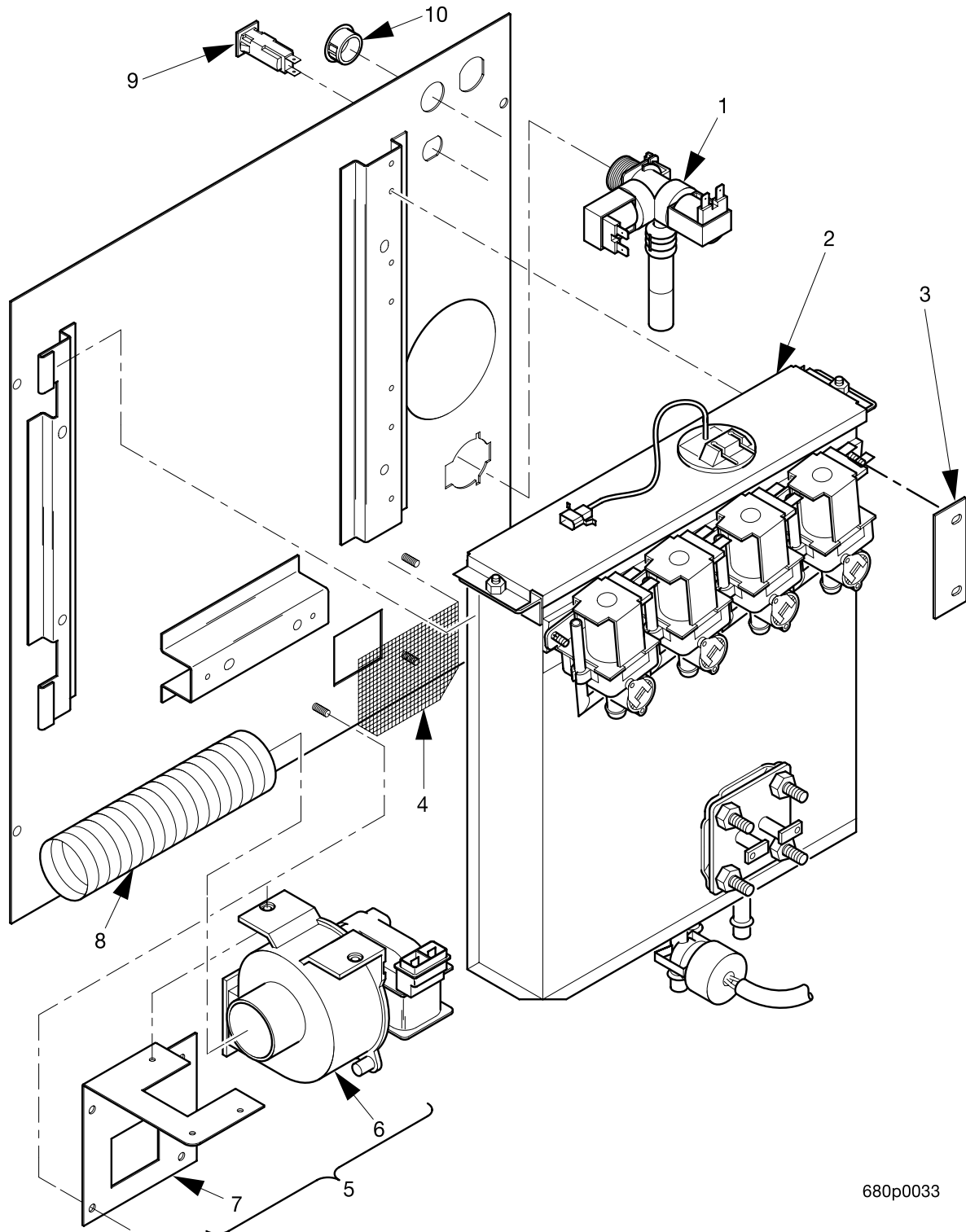


Figure 6. Upper Cabinet Assembly - Part 4

TABLE 6. UPPER CABINET ASSEMBLY - PART 4

| INDEX | PART NUMBER | DESCRIPTION | QTY |
|-------|-------------|---|-----|
| 1 | 6821010 | COVER - ELECTRONICS (CAFÉ IV) | 1 |
| | 6801030 | COVER - ELECTRONICS (CAFÉ III) | |
| 2 | 6806016 | POWER PANEL ASSEMBLY (FRESH BREW ONLY) (FIGURE 13) | 1 |
| | 6806025 | POWER PANEL ASSEMBLY - 230 V (U.K.) (FIGURE 13) | |
| | 6806026 | POWER PANEL ASSEMBLY - 230 V (FRANCE/GERMANY) (FIGURE 13) | |
| 3 | 6801054 | LATCH - DOOR LOCK | 1 |
| 4 | 6804082 | PAPER CUTTER ASSEMBLY (FRESH BREW ONLY) (FIGURE 14) | 1 |
| 5 | 6801053 | SLIDE - CANISTER SHELF | 1 |
| 6 | 6801031 | COVER - LOWER | 1 |
| 7 | 6801109 | INSULATION, COVER (CAFE III) | 1 |
| | 6821024 | INSULATION, COVER (CAFE IV) | |



680p0033

Figure 7. Upper Cabinet Assembly - Part 5

TABLE 7. UPPER CABINET ASSEMBLY - PART 5

| INDEX | PART NUMBER | DESCRIPTION | QTY |
|-------|-------------|---|-----|
| 1 | - | INLET VALVE ASSEMBLY (FIGURE 16) | REF |
| 2 | 6808031 | BASIC WATER TANK ASSEMBLY - 2 VALVE - 115 V (FIGURE 15) | 1 |
| | 6808032 | BASIC WATER TANK ASSEMBLY - 2 VALVE - 230 V (FIGURE 15) | |
| 3 | 6801013 | RETAINER - WATER TANK | 2 |
| 4 | 6801032 | SCREEN - EXHAUST FAN | 1 |
| 5 | 6807014 | BLOWER AND BRACKET ASSEMBLY - 115 V/60 HZ | 1 |
| | 6807020 | BLOWER AND BRACKET ASSEMBLY - 230 V/50 HZ | |
| 6 | 6807011 | BLOWER ASSEMBLY - 115 V/60 HZ | 1 |
| | 6807019 | BLOWER ASSEMBLY - 230 V/50 HZ | |
| 7 | 6801019 | BRACKET - BLOWER MOUNTING | 1 |
| 8 | 6807013 | HOSE - EXHAUST | 1 |
| 9 | 9989674 | CIRCUIT BREAKER - 4 AMP | 1 |
| 10 | 6801039 | PLUG-HOLE-.75 DIA | 1 |

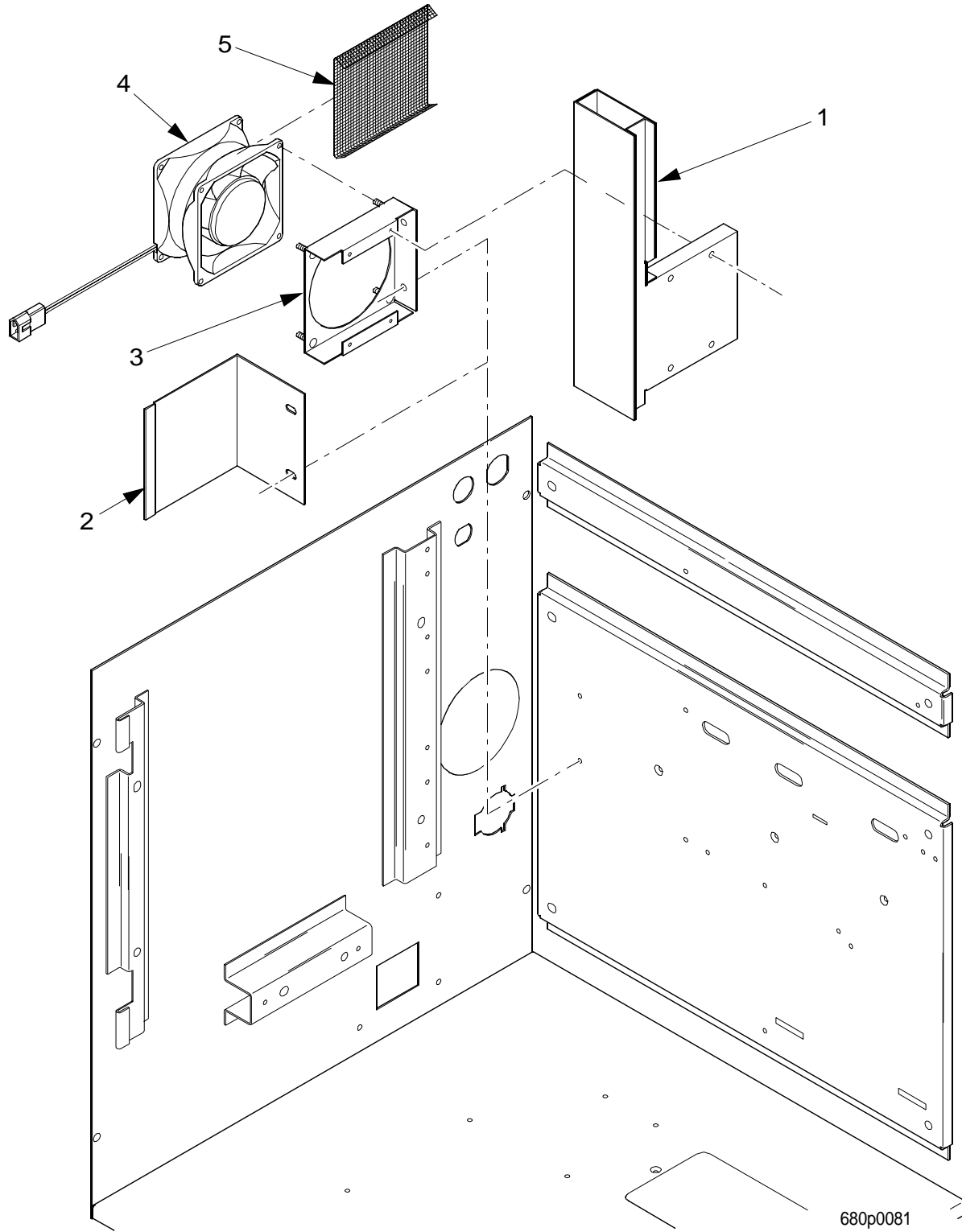
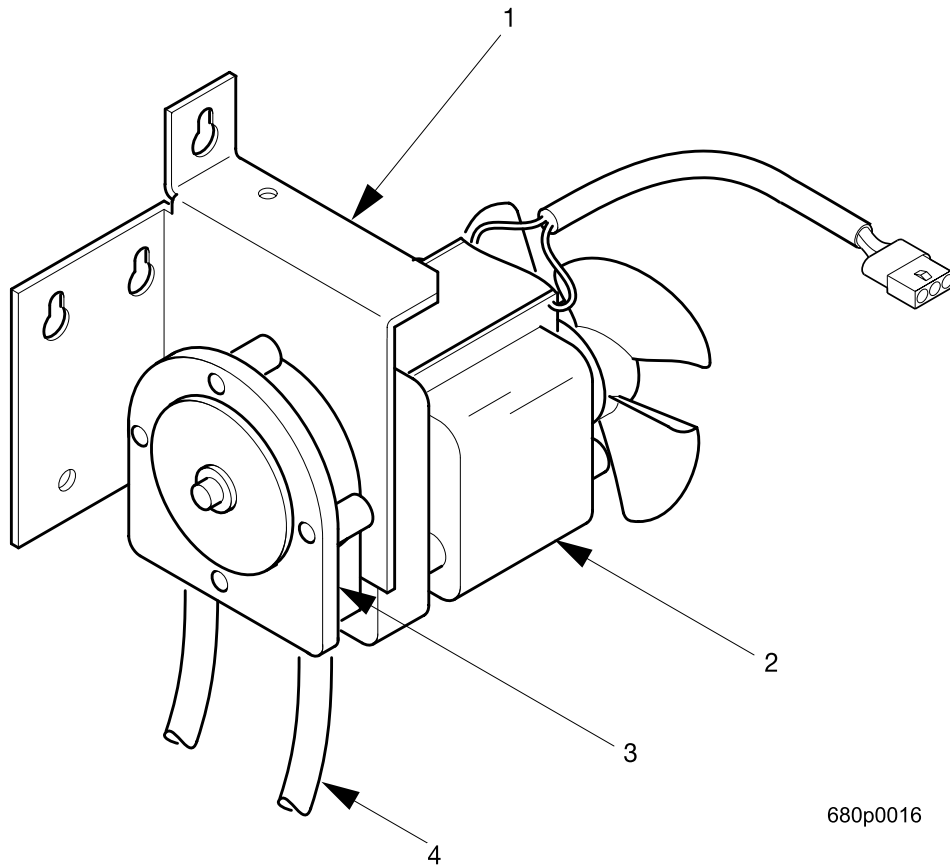


Figure 8. Exhaust Fan

TABLE 8. EXHAUST FAN

| INDEX | PART NUMBER | DESCRIPTION | QTY |
|-------|-------------|------------------------------|----------|
| 1 | 6801104 | WELD ASSEMBLY-BLOWER HOUSING | 1 OPT |
| 2 | 6801111 | COVER PLATE-NO FAN | 1 OPT |
| 3 | 6801102 | HOUSING-FAN | 1 OPT |
| 4 | 6231526 | EXHAUST FAN-115V | 1 OPT |
| | 6331025 | FAN-EXHAUST-230V | |
| 5 | 6801108 | SCREEN-CABINET EXHAUST | 1 OPT |

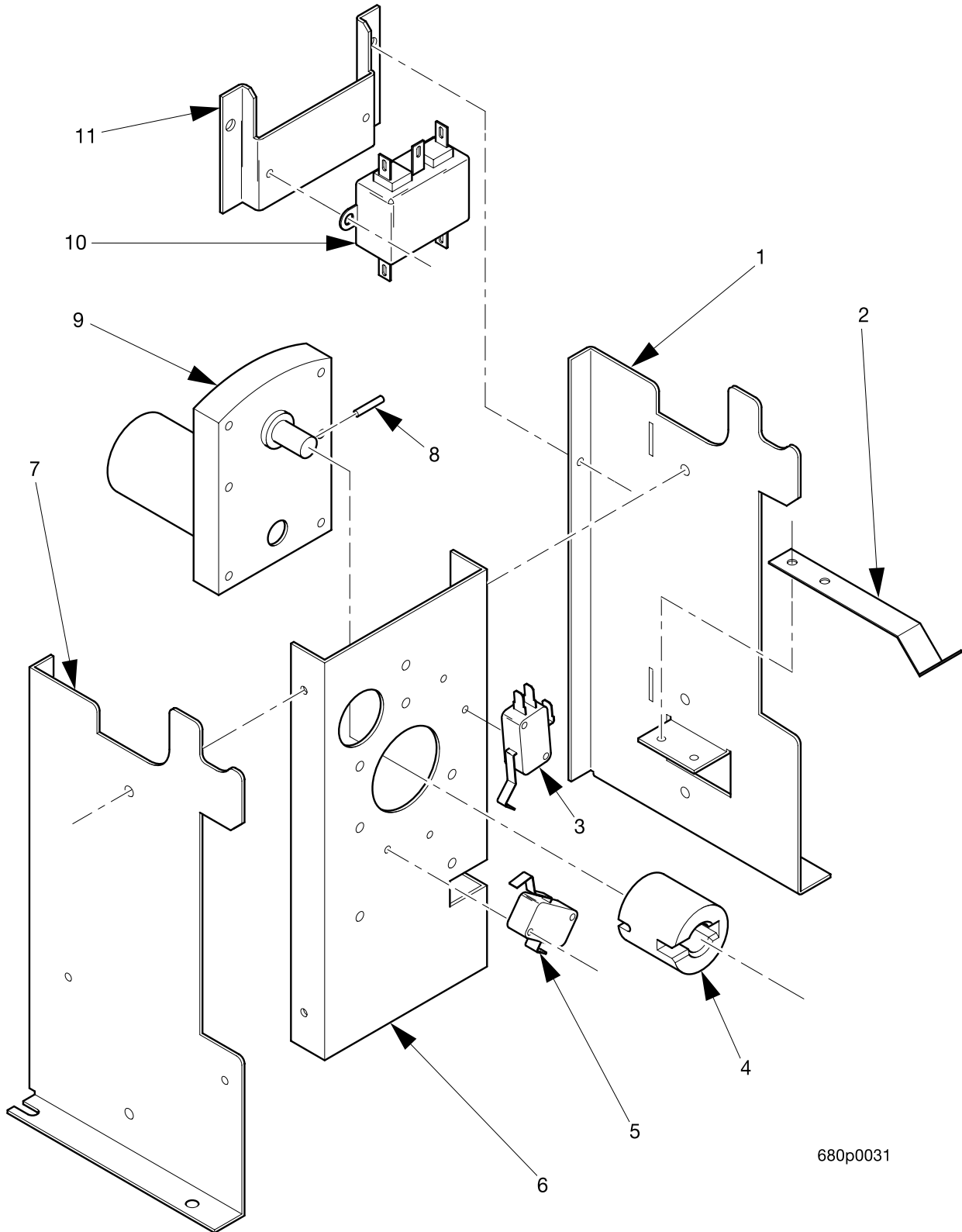


680p0016

Figure 9. Brewer Pump Assembly

TABLE 9. BREWER PUMP ASSEMBLY

| INDEX | PART NUMBER | DESCRIPTION | QTY |
|--------------|--------------------|--|------------|
| - | 6804015 | PUMP ASSEMBLY - BREWER - 115 V - CAFÉ III/IV | REF |
| | 6404077 | MOTOR - BREWER PUMP - 230 V | |
| 1 | 6801020 | BRACKET - PUMP MOUNTING | 1 |
| 2 | 6404076 | MOTOR - BREWER PUMP - 115 V | 1 |
| | 6804075 | PUMP ASSEMBLY - BREWER - 230 V - CAFE III/IV | |
| 3 | 6404078 | PERISTALTIC PUMP KIT - ANKO 820 | 1 |
| 4 | 6804055 | TUBING - 6404059 - 35.5 INCHES | 1 |

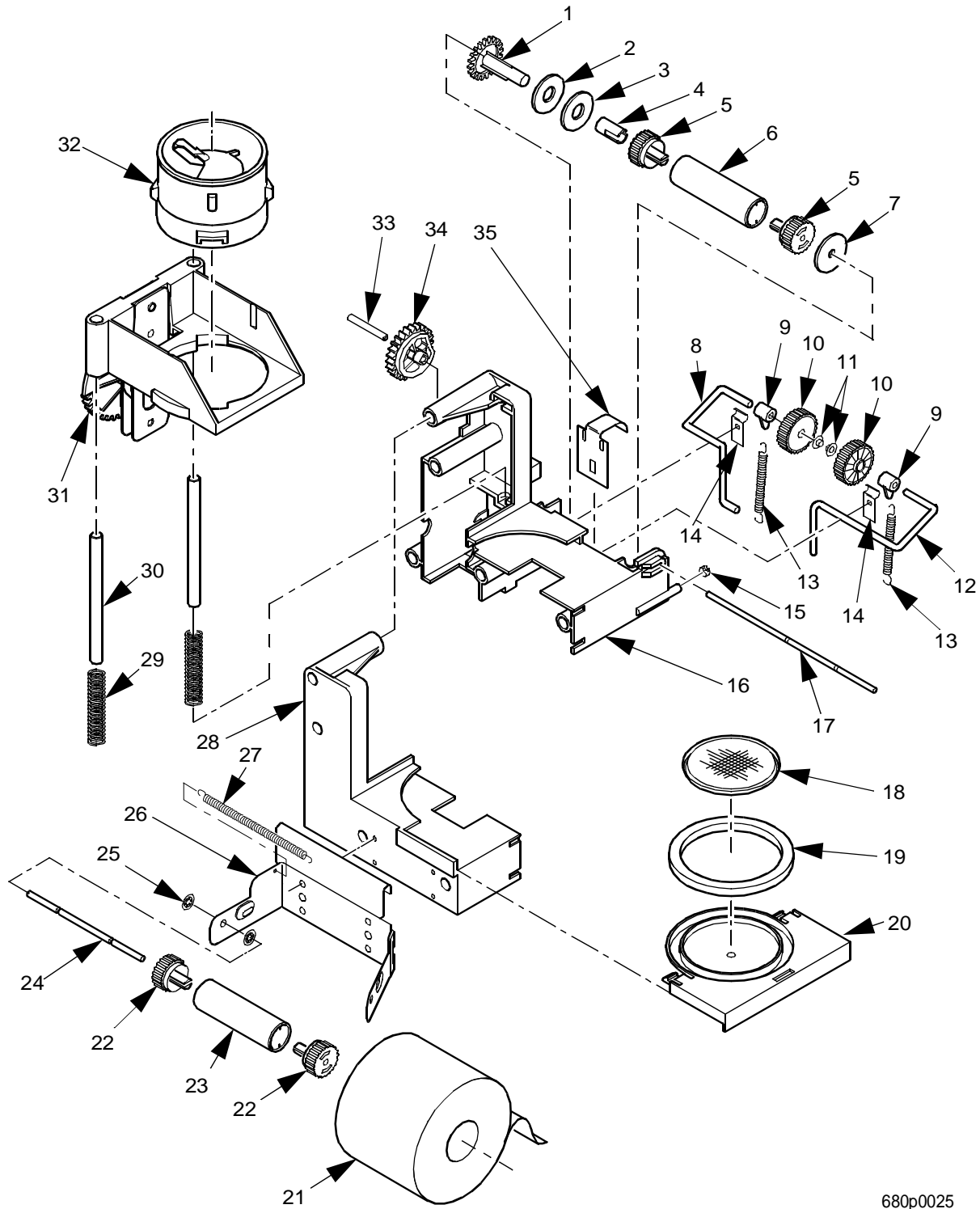


680p0031

Figure 10. Brewer Drive Assembly

TABLE 10. BREWER DRIVE ASSEMBLY

| INDEX | PART NUMBER | DESCRIPTION | QTY |
|-------|-------------|-------------------------------------|-----|
| 1 | 6804010 | PLATE -RIGHT SIDE - BREWER MOUNTING | 1 |
| 2 | 6801042 | LOCKING SPRING | 1 |
| 3 | 5220108 | SWITCH (BREW HOME SWITCH) | 1 |
| 4 | 6404011 | CAM - CYCLE SWITCH - COUPLER | 1 |
| 5 | 5220108 | SWITCH (BREW CLAMP SWITCH) | 1 |
| 6 | 6804009 | PLATE - BREWER MOTOR MOUNTING | 1 |
| 7 | 6804011 | PLATE - LEFT SIDE - BREWER MOUNTING | 1 |
| 8 | 4047061 | ROLL PIN 1/8 X 1 1/8 | 1 |
| 9 | 6404010 | BREWER MOTOR - 32 RPM/24V | 1 |
| 10 | 9989100 | INTERFERENCE FILTER | 1 |
| 11 | 6801043 | MOUNTING - EMI FILTER | 1 |



680p0025

Figure 11. Brewer Assembly

TABLE 11. BREWER ASSEMBLY

| INDEX | PART NUMBER | DESCRIPTION | QTY |
|-------|-------------|--|-----|
| - | 6804081 | BREWER ASSEMBLY - CAFE III/IV | REF |
| 1 | 6404024 | GEAR-DRIVE-PAPER | 1 |
| 2 | 6404039 | WASHER-1.25 O.D. X .54 I.D. | 1 |
| 3 | 6404038 | WASHER-1.25 I.D. X .406 | 1 |
| 4 | 6234603 | ROLLER DRIVE-PAPER MECH | 1 |
| 5 | 6234620 | ROLLER END CAP-PAPER MECH | 2 |
| 6 | 6404026 | ROLLER-EXTRUSION PAPER | 1 |
| 7 | 6404037 | WASHER-1.25 O.D. X .203 I.D. | 1 |
| 8 | 6404096 | AXLE-IDLER ROLLER-RT | 1 |
| 9 | 6404030 | TOGGLE-SPRING | 2 |
| 10 | 6404098 | DRIVE/IDLER-PAPER DRIVE | 2 |
| 11 | 6404027 | RETAINER-GROOVELESS | 2 |
| 12 | 6404095 | AXLE-IDLER ROLLER-LT | 1 |
| 13 | 6404067 | SPRING-EXTENSION | 2 |
| 14 | 6404114 | RETAINER-IDELR AXIS | 2 |
| 15 | 6804061 | COMPRESSION RING | 2 |
| 16 | 6804002 | HOUSING-BREWER-RT SIDE | 1 |
| 17 | 6404025 | SHAFT-PAPER DRIVE | 1 |
| 18 | 6404070 | SCREEN-BREWER-60 X 60 MESH | 1 |
| 19 | 6404090 | SEAL-BREWER | 1 |
| 20 | 6404062 | HOUSING-SCREEN & SEAL-CAFE 3/4 | 1 |
| 21 | 6804005 | PAPER-FILTER-OCS-CAFÉ III/IV (NOT PART OF BREWER ASSEMBLY) | - |
| 22 | 6234620 | ROLLER END CAP-PAPER MECH (NOT PART OF BREWER ASSEMBLY) | 2 |
| 23 | 6404026 | ROLLER-EXTRUSION PAPER (NOT PART OF BREWER ASSEMBLY) | 1 |
| 24 | 6804008 | SHAFT-PAPER DRIVE (NOT PART OF BREWER ASSEMBLY) | 1 |
| 25 | 5201266 | PUSH-ON RETAINER - .187 | 2 |
| 26 | 6804076 | BRACKET ASSEMBLY-WELD-FILTER | 1 |
| 27 | 6804087 | SPRING - BRACKET ASSEMBLY - FILTER PAPER | 1 |
| 28 | 6804001 | HOUSING-BREWER-LT SIDE | 1 |
| 29 | 6804006 | SPRING-CARRIER (PART OF INDEX 31) | 2 |
| 30 | 6804007 | SHAFT-CARRIER BEARING (PART OF INDEX 31) | 2 |
| 31 | 6804019 | CARRIER & CAM FOLLOWER ASSEMBLY (FIGURE 12) | 1 |
| 32 | 6804004 | CYLINDER-BREWER | 1 |
| 33 | 6404023 | AXLE-INDEX GEAR | 1 |
| 34 | 6404022 | GEAR-PAPER INDEX PINION | 1 |
| 35 | 6804053 | GUIDE-PAPER | 1 |

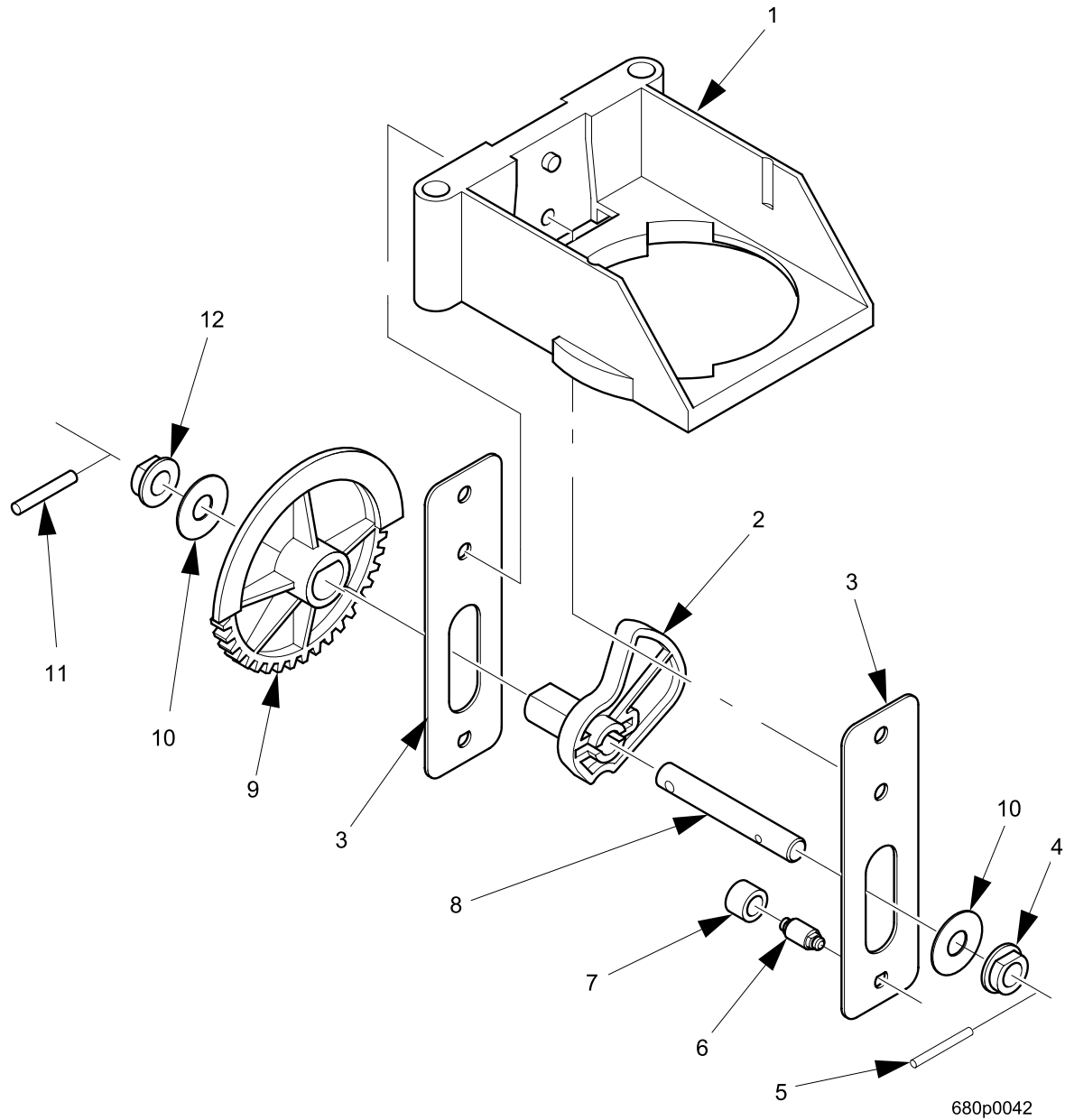
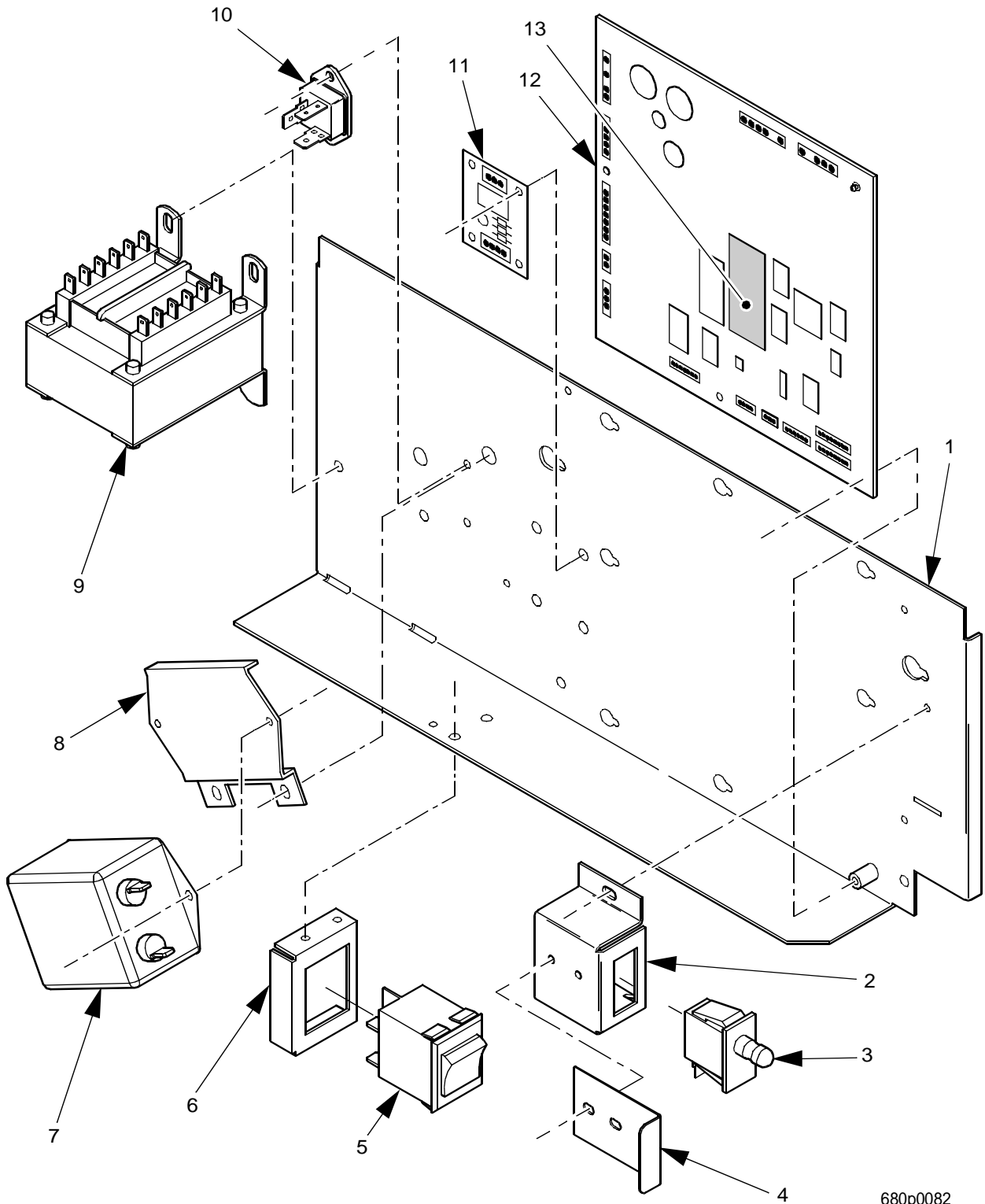


Figure 12. Carrier and Cam Follower Assembly

TABLE 12. CARRIER AND CAM FOLLOWER ASSEMBLY

| INDEX | PART NUMBER | DESCRIPTION | QTY |
|-------|-------------|---|-----|
| - | 6804019 | CARRIER & CAM FOLLOWER ASSEMBLY | REF |
| 1 | 6804003 | CARRIER-CYLINDER | 1 |
| 2 | 6404014 | CAM-CYLINDER CARRIER | 1 |
| 3 | 6404019 | PLATE-CAM FOLLOWER | 2 |
| 4 | 4047012 | SHOULDER BUSHING | 1 |
| 5 | 4047061 | ROLL PIN 1/8 X 1-1/8 | 1 |
| 6 | 6404073 | SHAFT-CAM FOLLOWER | 1 |
| 7 | 6404074 | ROLLER-CAM FOLLOWER | 1 |
| 8 | 6404013 | SHAFT-CAM | 1 |
| 9 | 6404015 | GEAR-PAPER INDEX DRIVE | 1 |
| 10 | 6134042 | WASHER-1.00 O.D X .390 I.D. X 22 GA.-SS | 1 |
| 11 | 6133157 | ROLL PIN 3/16 X 1 | 1 |
| 12 | 4047012 | SHOULDER BUSHING (PART OF NEXT HIGHER ASSEMBLY) | 1 |



680p0082

Figure 13. Power Panel Assembly

TABLE 13. POWER PANEL ASSEMBLY

| INDEX | PART NUMBER | DESCRIPTION | QTY |
|-------|-------------|---|-----|
| - | 6806016 | POWER PANEL ASSEMBLY - 115V (USA/FRENCH-CANADIAN) | 1 |
| | 6806025 | POWER PANEL ASSEMBLY - 230V (UK) | |
| | 6806026 | POWER PANEL ASSEMBLY - 230V - FR/GER (FRANCE/GERMANY) | |
| 1 | 6801092 | PANEL-PCB MOUNTING | 1 |
| 2 | 6801056 | MOUNTING-DOOR SW/MAG.LATCH | 1 |
| 3 | 6801066 | SWITCH-INTERLOCK | 1 |
| 4 | 6801055 | LATCH-DOOR MAGNET (NOT PART OF POWER PANEL ASSEMBLY) | 1 |
| 5 | 9989010 | CIRCUIT BREAKER/SWITCH-16A (230V: FRANCE/GERMANY) | 1 |
| 6 | 6801093 | BRACKET-MOUNTING BREAKER (230V: FRANCE/GERMANY) | 1 |
| 7 | 9989119 | FILTER-POWER LINE-EMI (230V: FRANCE/GERMANY/UK)) | 1 |
| 8 | 6801091 | BRACKET-MOUNTING-FILTER (230V: FRANCE/GERMANY/UK)) | 1 |
| 9 | 9989046 | 24V XFMR-DUAL PIR.-.187 TERM | 1 |
| 10 | 9983778 | TRIAC-35A-600V | 1 |
| 11 | 9989800 | PCB ASSY-BREWER/PAPR CUTR RE | 1 |
| 12 | 6806020 | PCB ASSY-CONTROLLER-OCS 3 & 4 | 1 |
| 13 | - | IC ASSEMBLY (EPROM) (SEE LABEL ON EPROM FOR SOFTWARE VERSION AND PART NUMBER) | 1 |

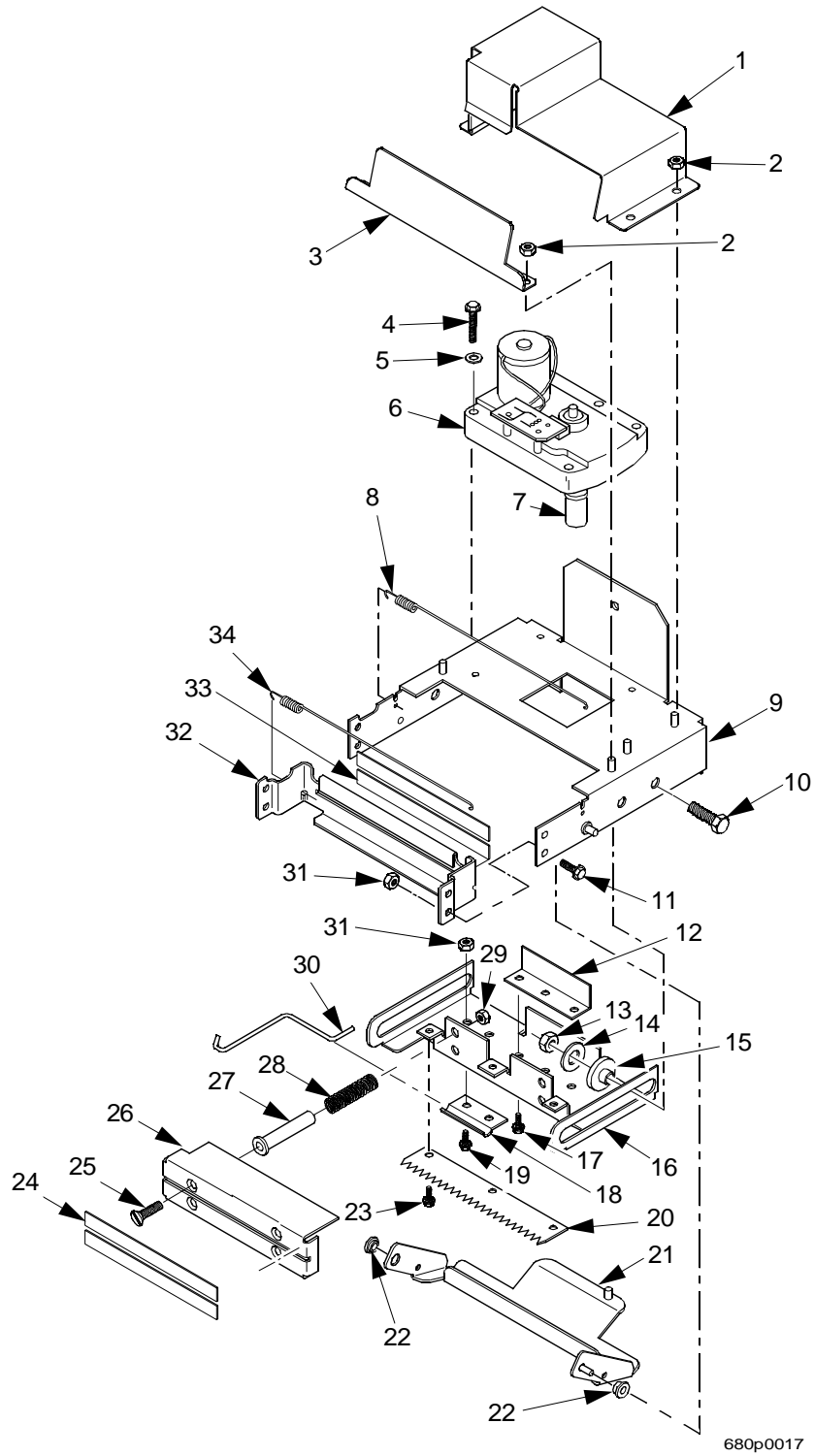
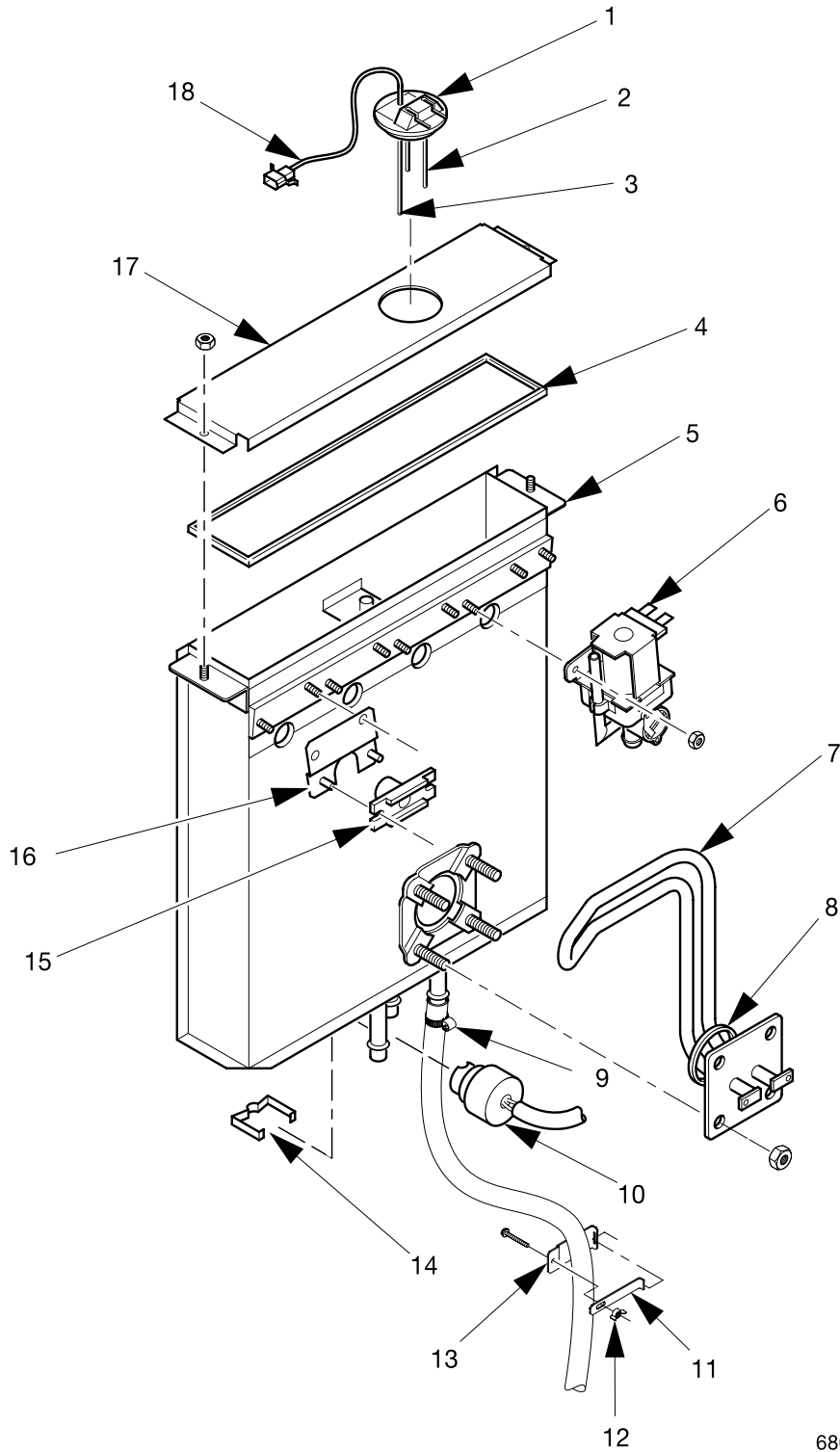


Figure 14. Paper Cutter Assembly

TABLE 14. PAPER CUTTER ASSEMBLY

| INDEX | PARTNUMBER | DESCRIPTION | QTY |
|-------|------------|---|-----|
| - | 6804082 | PAPER CUTTER ASSEMBLY | REF |
| 1 | 6804047 | COVER-MOTOR | 1 |
| 2 | 4402043 | NUT #8-32 W/LW-SS | 2 |
| 3 | 6804046 | DEFLECTOR-CUTTER | 1 |
| 4 | 1457027 | SCREW #8-32 X.81 HEX HD - T/F | 3 |
| 5 | 9900034 | WASHER-STEEL-3/8 X.170 X.032 | 3 |
| 6 | 1577038 | MOTOR & PC BOARD ASSEMBLY | 1 |
| 7 | 6233058 | CRANK ARM AND ROLLER ASSEMBLY | 1 |
| 8 | 6804023 | SPRING - PAPER CUTTER | 1 |
| 9 | 6804068 | BRACKET-MOTOR-CUTTER | 1 |
| 10 | 6233021 | SCREW-1/4-20 X.5 - HEX HD | 4 |
| 11 | 6234295 | SCREW #8-32 X.38 - HHS W/WL | 4 |
| 12 | 6804029 | BRACKET-CAM | 1 |
| 13 | 4041241 | NUT 1/4-20 - SELF LOCKING | 4 |
| 14 | 6404034 | WASHER -.687 O.D. X.265 I.D. | 4 |
| 15 | 6804086 | BUSHING | 2 |
| 16 | 6804085 | SLIDE-CUTTER | 1 |
| 17 | 3102422 | SCREW #8-32 X .38 - HHS W/WL | 3 |
| 18 | 6804033 | RETAINER-WIRE | 1 |
| 19 | 6234295 | SCREW #8-32 X .38 - HHS W/WL | 2 |
| 20 | 6804036 | BLADE-CUTTER | 1 |
| 21 | 6804096 | SWEEP-PAPER CUTTER | 1 |
| 22 | 6804034 | BUSHING-SWEEP | 2 |
| 23 | 3102422 | SCREW #8-32 X 3/16 - THS - SS | 3 |
| 24 | 6804072 | PAD-CUTTER-4.18 X .38 | 2 |
| 25 | 6804080 | SCREW-#6-32 X 1.25L.-FLAT HD. | 4 |
| 26 | 6804077 | RETAINER-PADS | 1 |
| 27 | 6804079 | BUSHING- .218/.188 X .938 | 4 |
| 28 | 6234614 | COMPRESSION SPRING-PAPER MECH SHAFT | 4 |
| 29 | 6104429 | NUT #6-32 - K EPS - SS - EXT LW | 4 |
| 30 | 6804035 | WIRE-CUTTER | 1 |
| 31 | 4402043 | NUT #8-32 W/LW-SS | 6 |
| 32 | 6804071 | STOP-CUTTER-PADS | 1 |
| 33 | 6804072 | PAD-CUTTER-4.18 X .38 | 2 |
| 34 | 6804083 | SPRING EXTENSION-STOP | 1 |
| - | 6804070 | STOP ASSEMBLY-PADS (INCLUDES INDEX 32-34) | 1 |
| - | 6804084 | RETAINER & PADS ASSEMBLY - SLIDE (INCLUDES INDEX 16, 24-29) | 1 |



680p0002

Figure 15. Water Tank Assembly Detail

TABLE 15. WATER TANK ASSEMBLY DETAIL

| INDEX | PART NUMBER | DESCRIPTION | QTY |
|-------|-------------|---|-----|
| - | 6808022 | BASIC WATER TANK ASSEMBLY - 2 VALVE | REF |
| | 6808029 | WATER TANK ASSEMBLY - 2 VALVE - 230 V | |
| 1 | 6808003 | MOUNTING - LEVEL & TEMP - HWT | 1 |
| 2 | 6808006 | PROBE - LEVEL - LOW - HWT | 1 |
| 3 | 6808005 | PROBE - LEVEL - HIGH - HWT | 1 |
| 4 | 6808002 | GASKET - WATER TANK | 1 |
| 5 | 6808019 | WELD ASSEMBLY - HOT WATER TANK | 1 |
| 6 | 6238112X | VALVE ASSEMBLY - HWT - 115 V | - |
| | 6238116X | VALVE ASSEMBLY - HWT - 230 V | |
| | NOTE: | TANK INCLUDES (1) FOR HOT WATER TANK INCLUDES (1) FOR FRESH BREW OR FIRST FREEZE DRY SELECTION ADD (1) FOR SECOND FREEZE DRY SELECTION ADD (1) FOR CHOCOLATE SELECTION | |
| 7 | 6808001 | HEATER - 1250 WATT - 120 V | 1 |
| | 6808028 | HEATER - 1250 WATT - 230 V | |
| 8 | 6238042 | GASKET - HEATER | 1 |
| 9 | 6158063 | CLAMP - HOSE | 1 |
| 10 | 6849014 | THERMOSTAT ASSEMBLY - AUTO RESET | 1 |
| 11 | 6408129 | PLATE - CLAMP - TOP | 1 |
| 12 | 3103133 | WING NUT #8-32 STAINLESS | 1 |
| 13 | 6408127 | PLATE ASSEMBLY - CLAMP | 1 |
| 14 | 6808023 | CLAMP - THERMOSTAT - 3/8 O.D. | 1 |
| 15 | 6238045 | PLUG ASSEMBLY - HOT WATER VALVE USED TO PLUG VALVE POSITION WHEN WATER VALVE IS NOT PRESENT | - |
| 16 | 6808025 | RETAINER ASSEMBLY - PLUG - HOT WATER TANK (USED WITH ITEM # 15) | - |
| 17 | 6808016 | LID - HOT WATER TANK | 1 |
| 18 | 6808004 | SENSOR - TEMPERATURE - HWT | 1 |
| - | 6808007 | INSULATION - HOT WATER TANK (NOT SHOWN) | 1 |

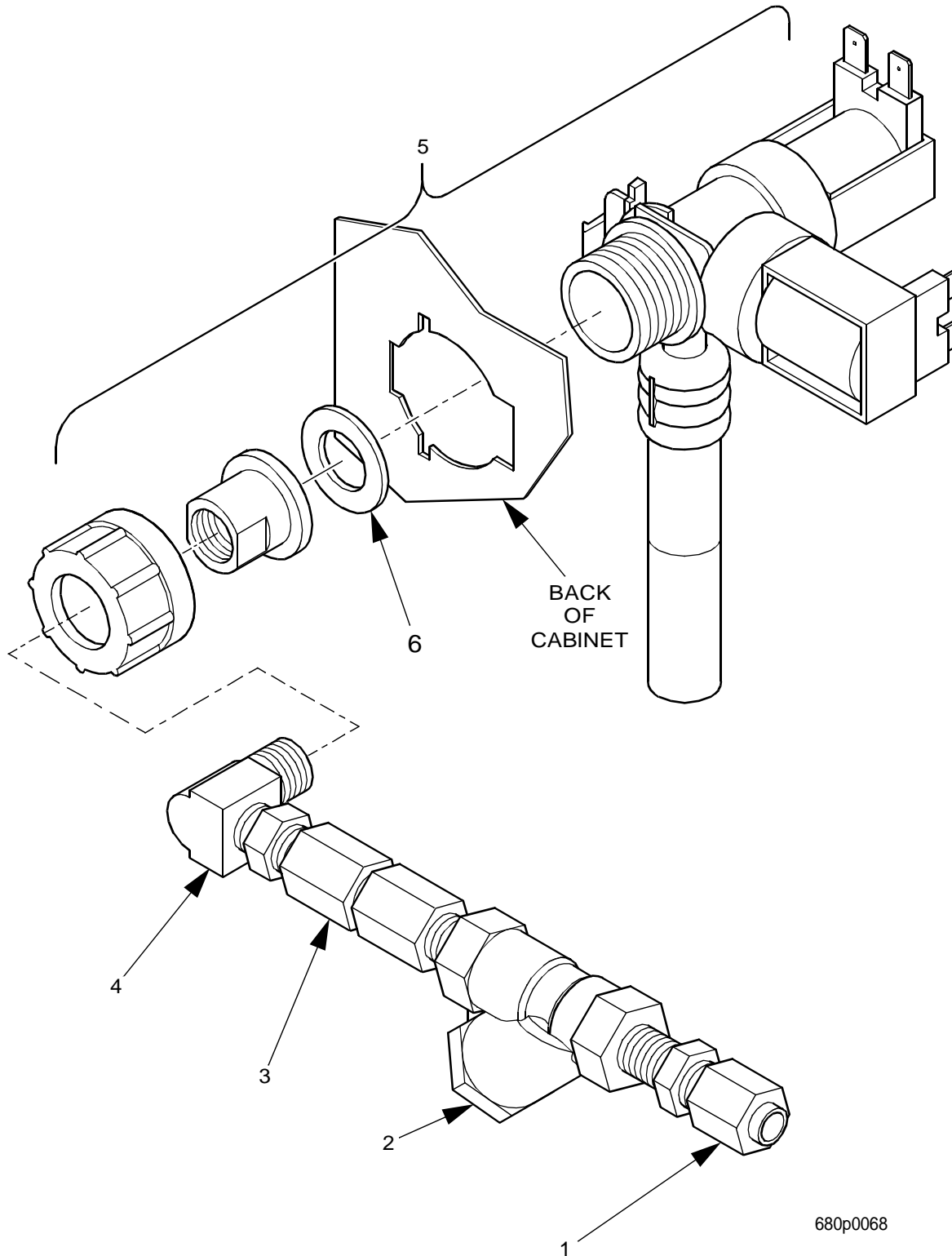


Figure 16. Check Valve Assembly and Inlet Valve Assembly

TABLE 16. CHECK VALVE ASSEMBLY AND INLET VALVE ASSEMBLY

| INDEX | PART NUMBER | DESCRIPTION | QTY |
|-------|-------------|---|-----|
| 1 | 6408119 | MALE CONCTOR-BRASS #4-4-FBI2-B | 1 |
| 2 | 6808024 | STRAINR-100 MESH | 1 |
| 3 | 6808020 | CHECK VALVE-DUAL-W/.008 SPRING | 1 |
| 4 | 3128303 | 90 STREET ELBOW 1/4 NPTF | 1 |
| 5 | 6808031 | INLET VALVE ASSEMBLY - 115 V | 1 |
| | 6808032 | INLET VALVE ASSEMBLY - 230 V | |
| 6 | 6808030 | WASHER-SILICONE-.473 ID X .945 OD (PART OF INDEX 5) | 1 |

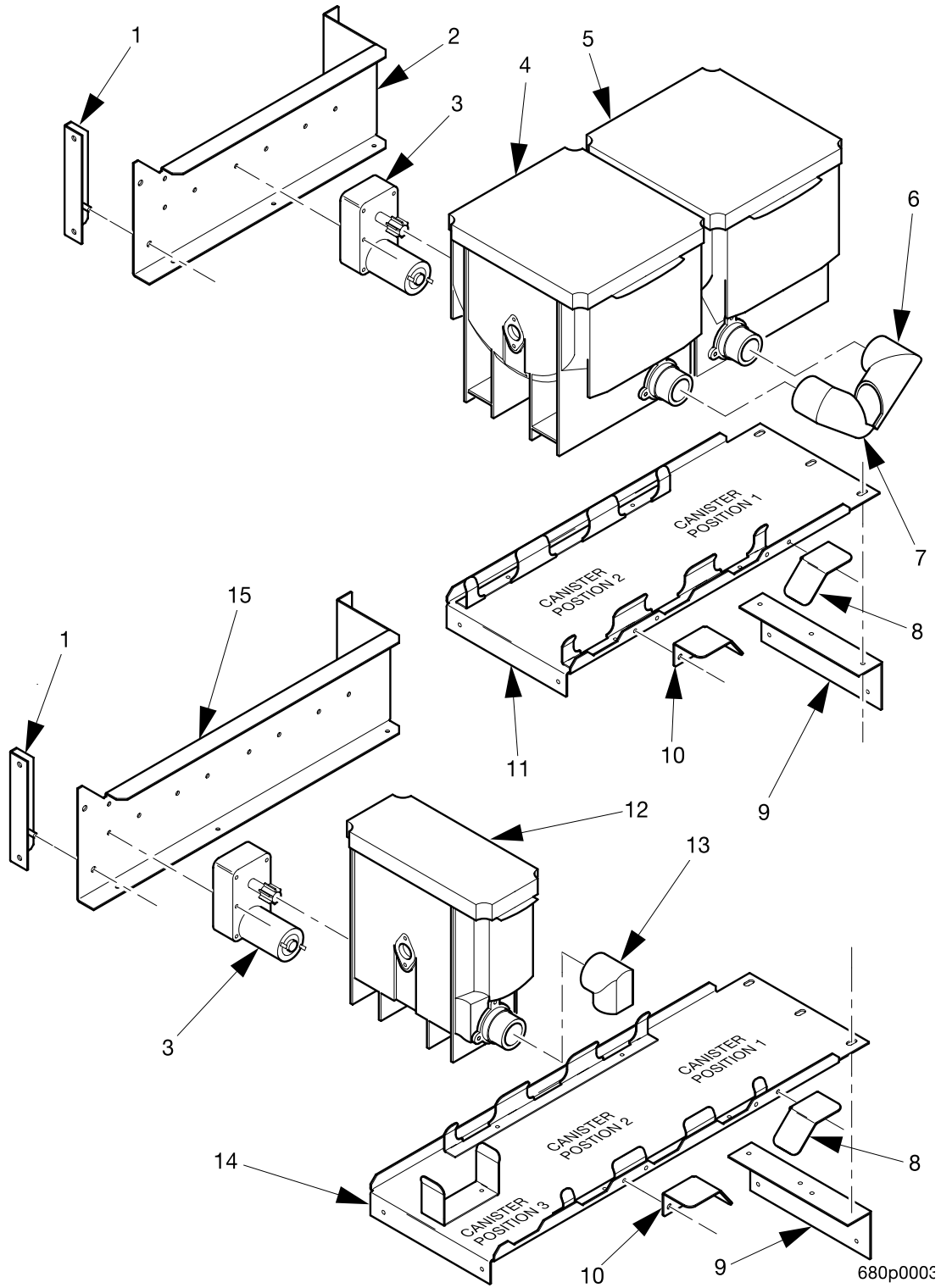


Figure 17. Product Shelf Assemblies

TABLE 17. PRODUCT SHELF ASSEMBLIES

| INDEX | PART NUMBER | DESCRIPTION | QTY |
|-------|-------------|---|-----|
| 1 | 6801067 | BRACKET - MOUNTING - MOTOR SHELF (CAFÉ III) | 1 |
| 2 | 6801068 | SHELF - MOTOR MOUNTING (CAFÉ III) | 1 |
| 3 | 6807025 | MOTOR - CANISTER - 24V/80 RPM (CAFÉ III) | 2 |
| | | MOTOR - CANISTER - 24V/80 RPM (CAFÉ IV) | 3 |
| 4 | 6807027 | CANISTER - LARGE - LH | * |
| 5 | 6807026 | CANISTER - LARGE - RH | * |
| 6 | 6807029 | CHUTE - CANISTER - RH | * |
| 7 | 6807030 | CHUTE - CANISTER - LH | * |
| 8 | 6801070 | STOP - CANISTER SPOUT - RIGHT (TABLE 18) | - |
| 9 | 6801014 | SUPPORT - CANISTER SHELF - RT | 1 |
| 10 | 6801069 | STOP - CANISTER SPOUT - LEFT (TABLE 18) | - |
| 11 | 6801084 | WELD ASSEMBLY - GUIDE - CANISTER SHELF (CAFÉ III) | 1 |
| 12 | 6807028 | CANISTER - SMALL - CENTER | * |
| 13 | 6807031 | CHUTE - CANISTER - CENTER | * |
| 14 | 6821091 | WELD ASSEMBLY - GUIDE - CANISTER SHELF (CAFÉ IV) | 1 |
| 15 | 6821086 | SHELF - MOTOR MOUNTING (CAFÉ IV) | 1 |

* QUANTITIES VARY. (TABLE 18)

TABLE 18. CANISTER, CHUTE, AND CANISTER SPOUT STOP USAGE

| SERIES | MODEL | PRODUCT CONFIGURATION | CANISTER POSITION | CANSITER | CHUTE | SPOUT STOP |
|----------|-------|-----------------------|-------------------|----------|---------|------------|
| CAFÉ III | 680 | FB-FB | 1 | 6807026 | 6807029 | 6801070 |
| | | | 2 | 6807027 | 6807030 | 6801069 |
| | | FB-CHOC | 1 | 6807026 | 6807029 | 6801070 |
| | | | 2 | 6807026 | 6807031 | N/A |
| | 681 | FD-CHOC | 1 | 6807026 | 6807031 | N/A |
| | | | 2 | 6807026 | 6807031 | N/A |
| CAFÉ IV | 682 | FB-FB-CHOC | 1 | 6807026 | 6807029 | 6801070 |
| | | | 2 | 6807027 | 6807030 | 6801069 |
| | | | 3 | 6807028 | 6807031 | N/A |
| | | FB-FD-CHOC | 1 | 6807026 | 6807029 | 6801070 |
| | | | 2 | 6807026 | 6807031 | N/A |
| | | | 3 | 6807028 | 6807031 | N/A |
| | 683 | FD-FD-CHOC | 1 | 6807026 | 6807031 | N/A |
| | | | 2 | 6807026 | 6807031 | N/A |
| | | | 3 | 6807028 | 6807031 | N/A |

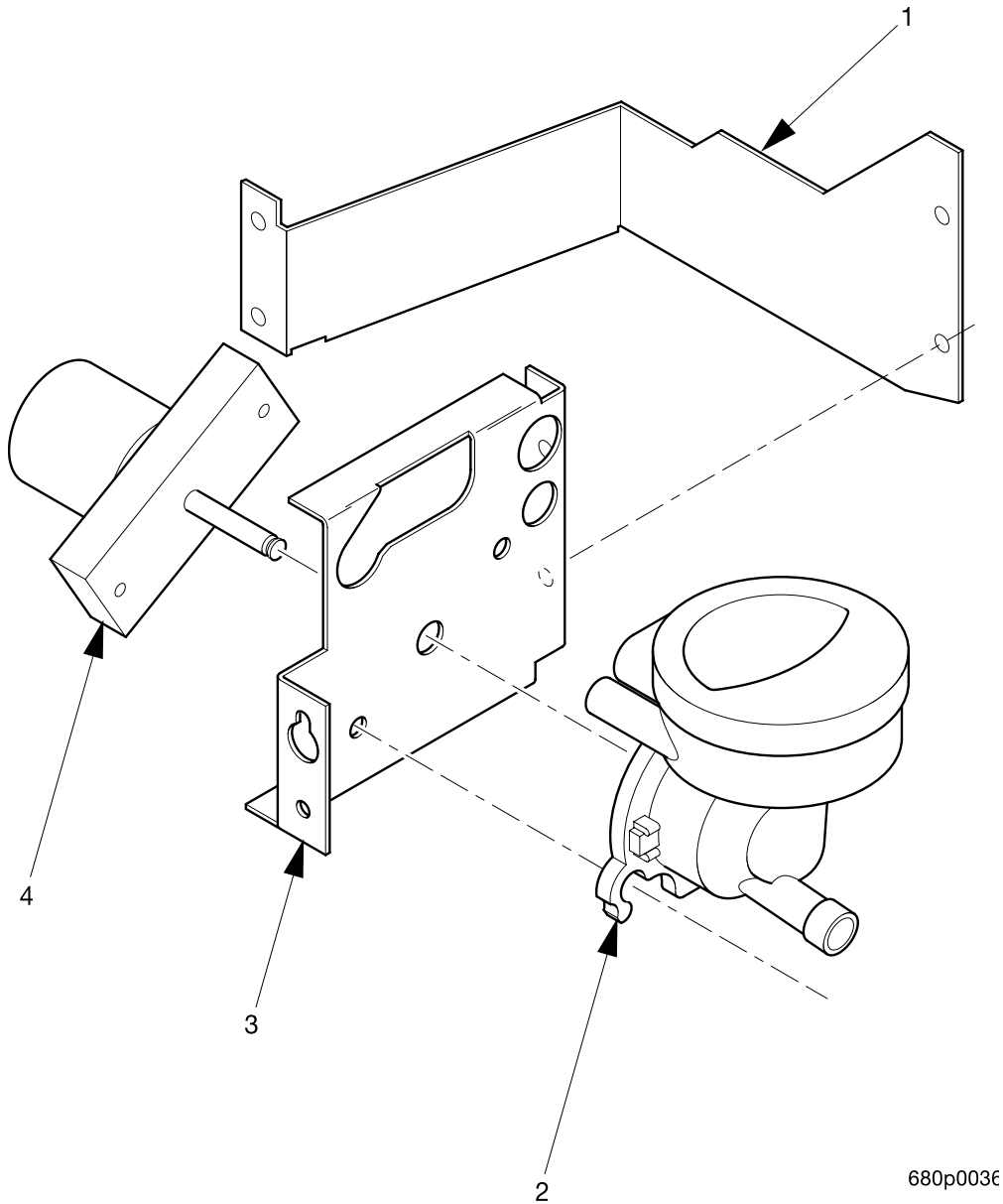


Figure 19. Mixing Bowl, Vent & Whipper Assemblies - Fresh Brew - Café III

TABLE 19. MIXING BOWL, VENT & WHIPPER ASSEMBLIES - FRESH BREW - CAFÉ III

| INDEX | PART NUMBER | DESCRIPTION | QTY |
|-------|-------------|---|-----|
| 1 | 6801018 | SUPPORT-SINGLE WHIP/MIX | 1 |
| 2 | - | MIXING BOWL WITH WHIPPER * USE WITH THE CHOCOLATE SELECTION # USE WITH EACH F.D. SELECTION (FIGURE 23) | * # |
| 3 | 6801017 | MOUNTING-SINGLE WHIP/MIX | 1 |
| 4 | 6807009 | MOTOR-WHIPPER-CAFÉ 3 AND 4 * USE WITH THE CHOCOLATE SELECTION # USE WITH EACH F.D. SELECTION | * # |

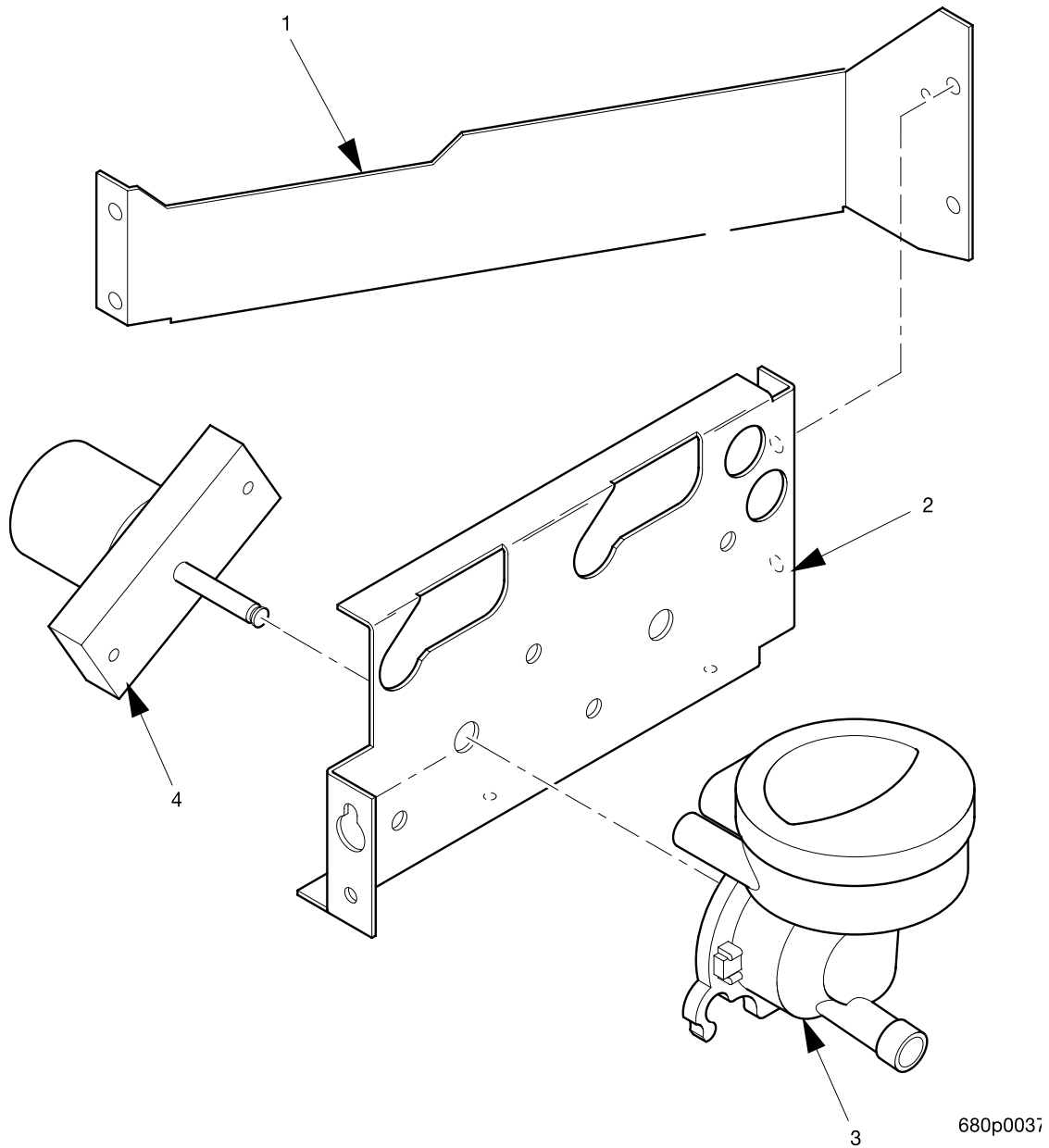
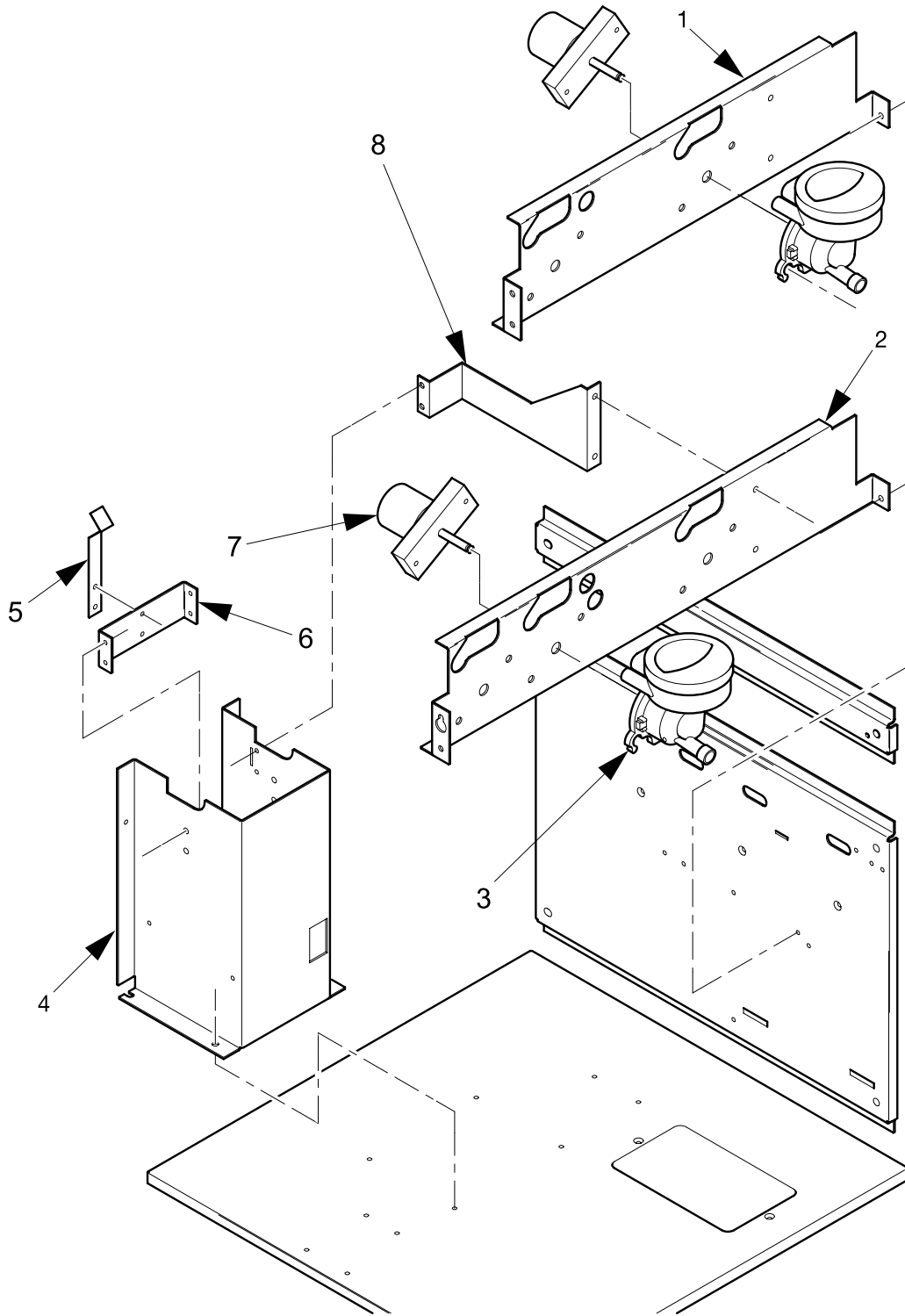


Figure 20. Mixing Bowl, Vent & Whipper Assemblies - Fresh Brew Café IV

TABLE 20. MIXING BOWL, VENT & WHIPPER ASSEMBLIES - FRESH BREW CAFÉ IV

| INDEX | PART NUMBER | DESCRIPTION | QTY |
|-------|-------------|---|-----|
| 1 | 6821008 | SUPPORT-WHIPPER/MIX BOWL-CAFÉ IV | 1 |
| 2 | 6821007 | MOUNTING-DUAL WHIP/MIX BOWL-CAFÉ IV | 1 |
| 3 | - | MIXING BOWL WITH WHIPPER * USE ONE WITH THE CHOCOLATE SELECTION # USE ONE WITH EACH F.D. SELECTION (FIGURE 23) | * # |
| 4 | 6807009 | MOTOR-WHIPPER-CAFÉ 3 AND 4 * USE ONE WITH THE CHOCOLATE SELECTION # USE ONE WITH EACH F.D. SELECTION (FIGURE 23) | * # |

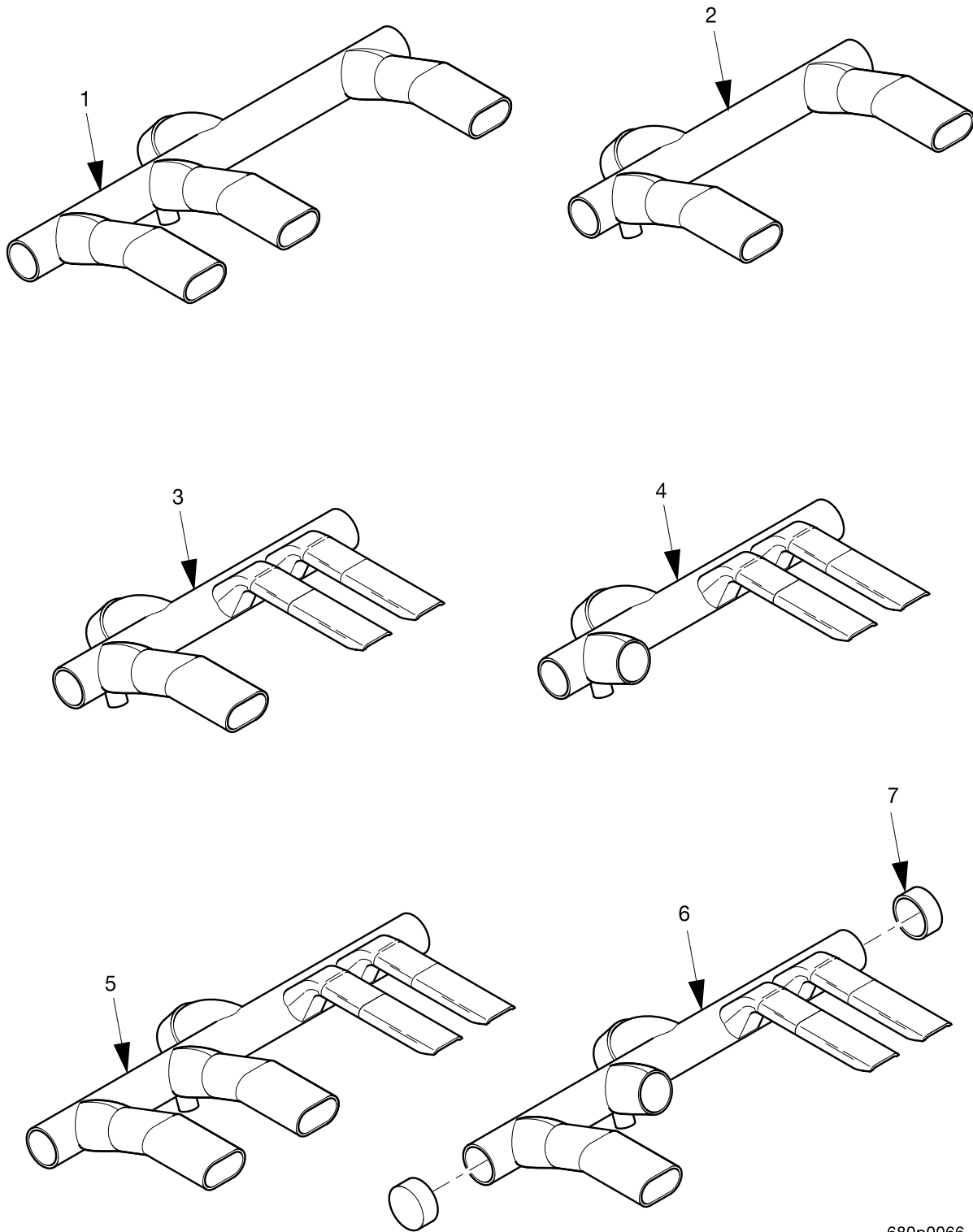


680p003E

Figure 21. Mixing Bowl, Vent & Whipper Assemblies - Freeze Dry Café III and IV

TABLE 21. MIXING BOWL, VENT & WHIPPER ASSEMBLIES - FREEZE DRY CAFÉ III AND IV

| INDEX | PART NUMBER | DESCRIPTION | QTY |
|-------|-------------|---|-----|
| 1 | 6811000 | MOUNTING-WHIPPER/MIX BOWL-FD (CAFÉ III) | 1 |
| 2 | 6831000 | MOUNTING-WHIPPER/MIX BOWL-FD (CAFÉ IV) | 1 |
| 3 | - | MIXING BOWL WITH WHIPPER * USE ONE WITH THE CHOCOLATE SELECTION # USE ONE WITH EACH F.D. SELECTION (FIGURE 23) | * # |
| 4 | 6811002 | SUPPORT-EXHAUST MANIFOLD | 1 |
| 5 | 6237215 | LOCKING SPRING-GRINDER | 1 |
| 6 | 6811003 | MOUNTING-SPRING CLIP-MANIFOLD | 1 |
| 7 | 6807009 | MOTOR-WHIPPER-CAFÉ 3 AND 4 * USE ONE WITH THE CHOCOLATE SELECTION # USE ONE WITH EACH F.D. SELECTION | * # |
| 8 | 6811001 | SUPPORT-WHIP/MIXING BOWL-FD | 1 |



680p0066

Figure 22. Vents for Alternate Configurations

TABLE 22. VENTS FOR ALTERNATE CONFIGURATIONS

| INDEX | PART NUMBER | DESCRIPTION | QTY |
|--------------|--------------------|---|------------|
| 1 | 6837000 | VENT-FD-CAFÉ 4 (CAFÉ IV - FD/FD/CHOC) | 1 |
| 2 | 6817000 | VENT-FD-CAFÉ 3 (CAFÉ III - FD/FD) | |
| 3 | 6807016 | VENT-SINGLE FB-CAFÉ 3 (CAFÉ III - FB/CHOC) | |
| 4 | 6807015 | VENT-DUAL FB-CAFÉ 3 (CAFÉ III - FB/FB) | |
| 5 | 6827000 | VENT-DUAL FB-CAFÉ 4 (CAFÉ IV - FB/FD/CHOC) | |
| 6 | 6827001 | VENT-DUAL FB-W/CHOC-CAFÉ 4 (CAFÉ IV - FB/FB/CHOC) | |
| 7 | 6237347 | VINYL CAP | 1 |

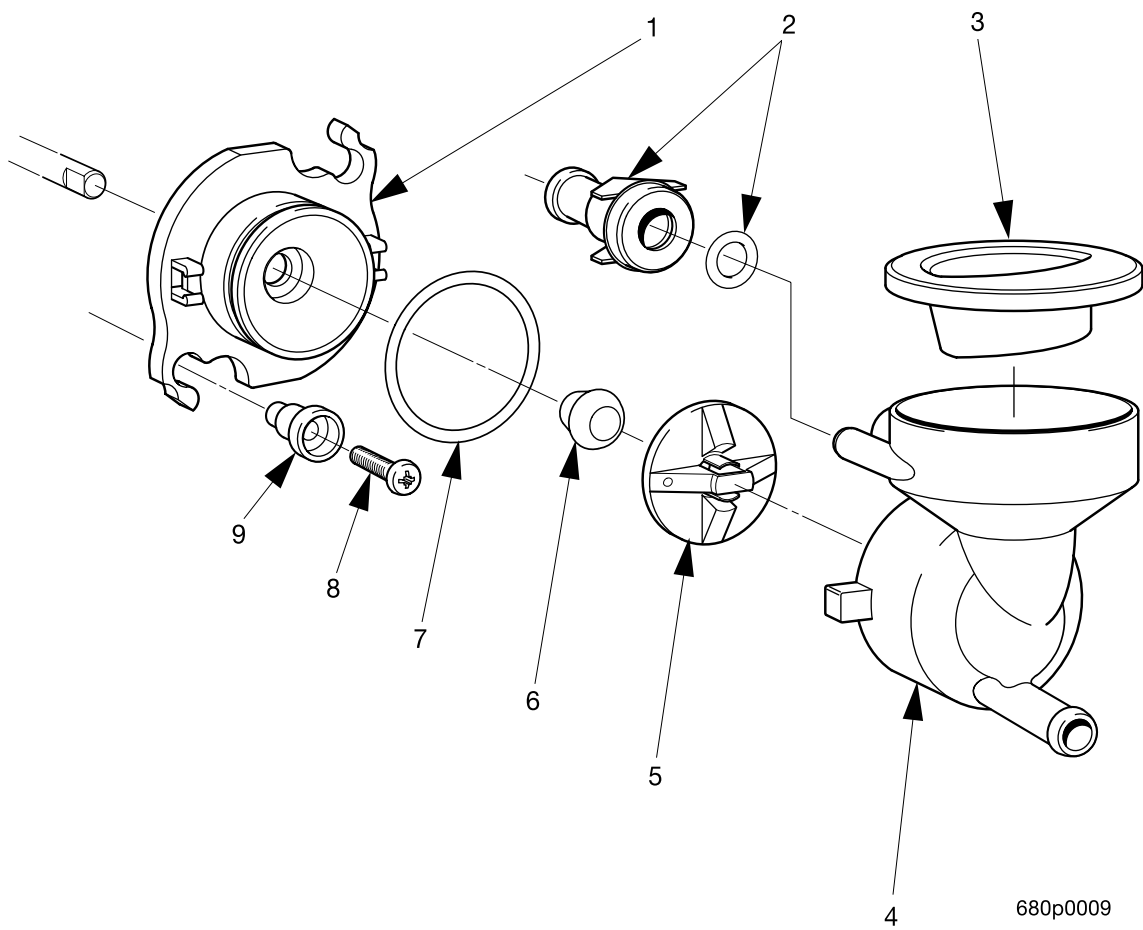


Figure 23. Mixing Bowl With Whipper

TABLE 23. MIXING BOWL WITH WHIPPER

| INDEX | PART NUMBER | DESCRIPTION | QTY |
|-------|-------------|-----------------------------------|-----|
| 1 | 6807002 | BASE - MIXING BOWL/WHIPPER | 1 |
| 2 | 6807010 | BULKHEAD ADAPTER WITH "O" RING | 1 |
| 3 | 6807000 | CAP - MIXING BOWL/WHIPPER - STEAM | 1 |
| 4 | 6807001 | BODY - MIXING BOWL/WHIPPER | 1 |
| 5 | 6807003 | IMPELLER - WHIPPER | 1 |
| 6 | 6807004 | SEAL - WHIPPER BASE | 1 |
| 7 | 6807005 | SEAL - "O" RING - WHIPPER BASE | 1 |
| 8 | 6332052 | SCREW #8-16 X 1.25 PLASTITE | 2 |
| 9 | 6807006 | SCREW CAP | 2 |

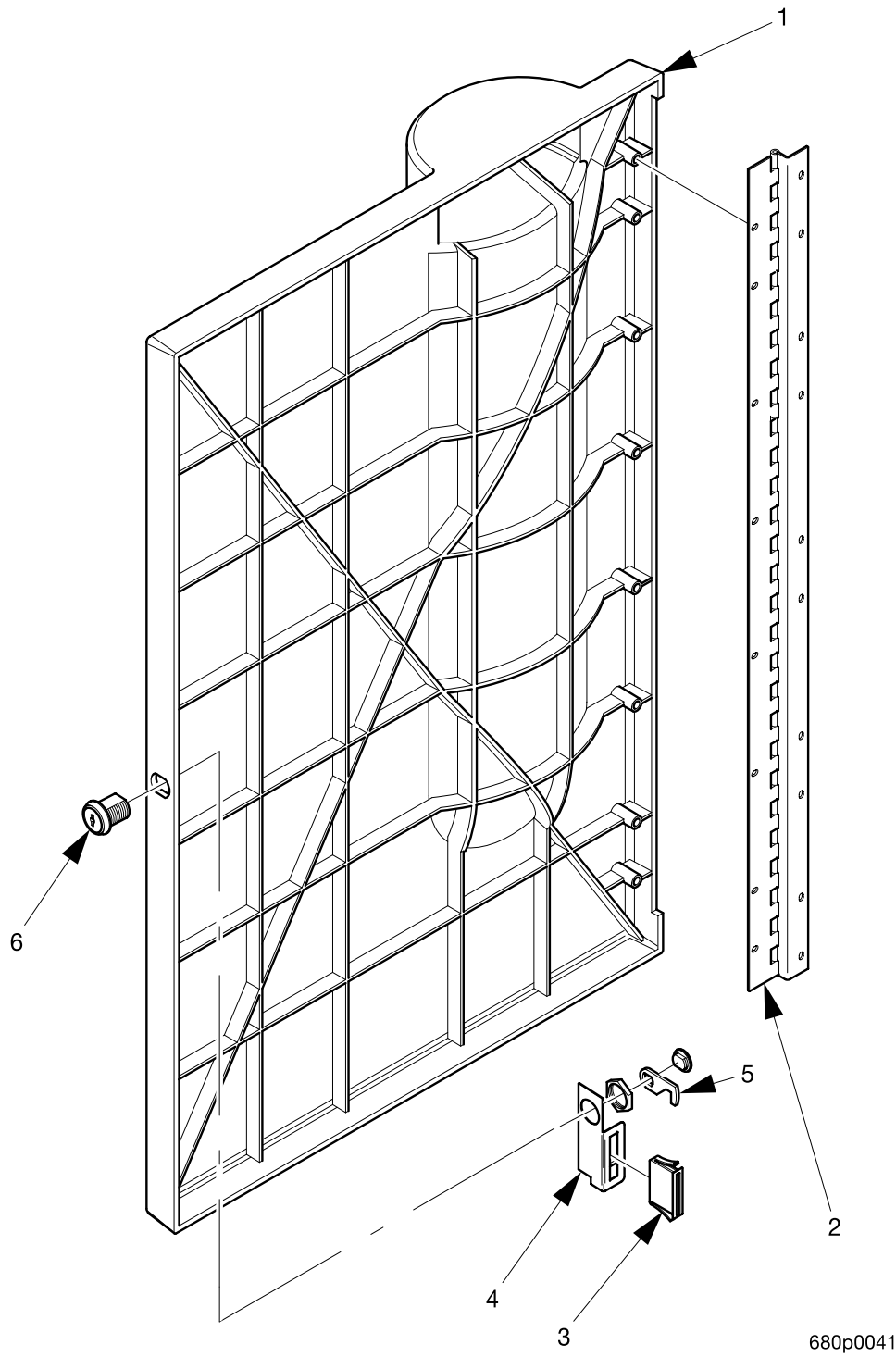


Figure 24. Base Door Assembly

TABLE 24. BASE DOOR ASSEMBLY

| INDEX | PART NUMBER | DESCRIPTION | QTY |
|-------|-------------|---|-----|
| 1 | 6822055 | DOOR - BASE CABINET - WARM WHITE | 1 |
| | 6822056 | DOOR - BASE CABINET - CHARCOAL | |
| | 6822057 | DOOR - BASE CABINET - GLACIER SILVER | |
| 2 | 6822052 | HINGE - DOOR - BASE - WARM WHITE | 1 |
| | 6822053 | HINGE - DOOR - BASE - CHARCOAL | |
| | 6822054 | HINGE - DOOR - BASE - GLACIER SILVER | |
| 3 | 6801051 | MAGNETIC CATCH - SNAP IN | 1 |
| 4 | 6822011 | PLATE - MAGNET MOUNTING | 1 |
| 5 | 6401053 | CAM - LOCK - CHICAGO #6 - 365Z | 1 |
| 6 | 6801052 | LOCK - DOOR - #1801 - KEY CODE NV 407 | 1 |
| - | 2221920 | KEY - CHICAGO LOCK #1801 NV 407 (NOT SHOWN) | 1 |

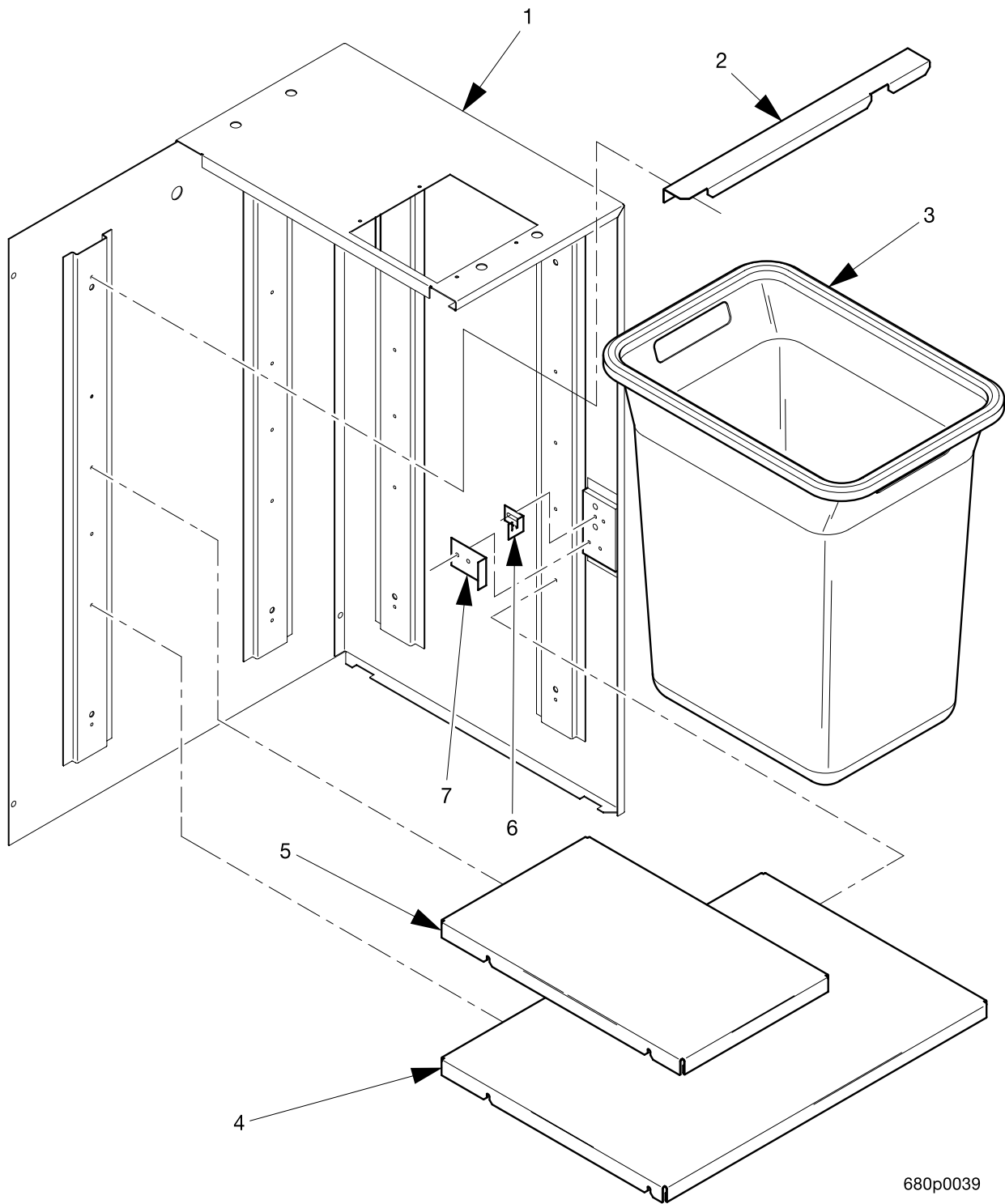


Figure 25. Base Cabinet Assembly

TABLE 25. BASE CABINET ASSEMBLY

| INDEX | PART NUMBER | DESCRIPTION | QTY |
|-------|-------------|-------------------------------|-----|
| 1 | 6821072 | BASE CABINET - WARM WHITE | 1 |
| | 6821073 | BASE CABINET - CHARCOAL | |
| | 6821074 | BASE CABINET - GLACIER SILVER | |
| 2 | 6821079 | SPACER - BUCKET - GROUNDS | 1 |
| 3 | 3631172 | BUCKET - GROUNDS | 1 |
| 4 | 6821071 | SHELF - BASE CABINET | 1 |
| 5 | 6821078 | SHELF - BASE CABINET - HALF | 1 |
| 6 | 6801054 | LATCH - DOOR LOCK | 1 |
| 7 | 6801055 | LATCH - DOOR MAGNET | 1 |

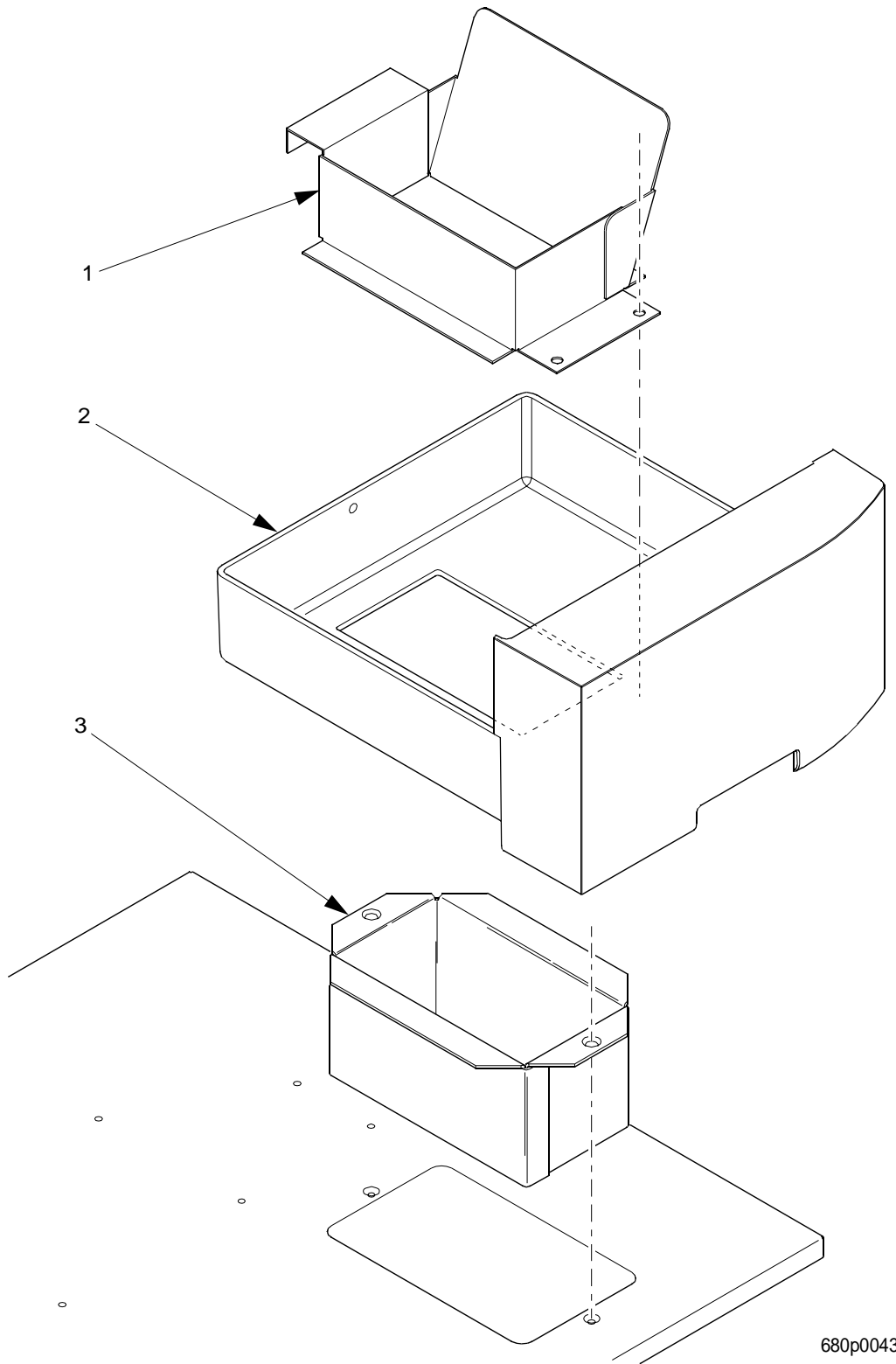
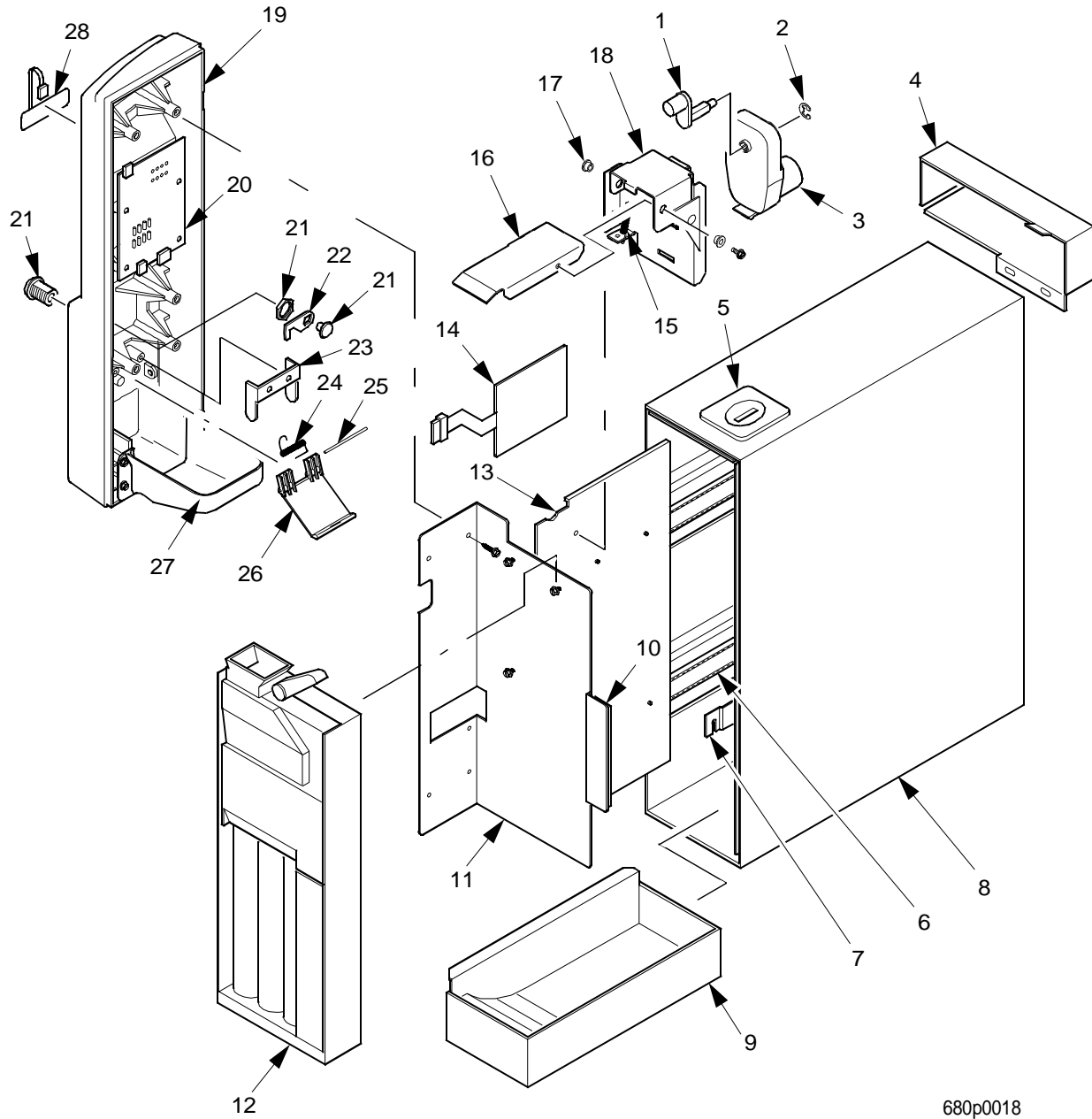


Figure 26. Upper Cabinet Interface Components

TABLE 26. UPPER CABINET INTERFACE COMPONENTS

| INDEX | PART NUMBER | DESCRIPTION | QTY |
|-------|-------------|---|-----|
| 1 | 6802076 | ENCLOSURE ASSEMBLY - GROUNDS TRAY | 1 |
| 2 | 6802077 | GROUNDS TRAY - CUTOUT - WARM WHITE - CAFÉ III | 1 |
| | 6802078 | GROUNDS TRAY - CUTOUT - CHARCOAL - CAFÉ III | |
| | 6802079 | GROUNDS TRAY - CUTOUT - GLACIER SILVER CAFÉ III | |
| | 6822033 | GROUNDS TRAY - CUTOUT - WARM WHITE - CAFÉ IV | |
| | 6822034 | GROUNDS TRAY - CUTOUT - CHARCOAL - CAFÉ IV | |
| | 6822035 | GROUNDS TRAY - CUTOUT - GLACIER SILVER CAFÉ IV | |
| 3 | 6801080 | ENCLOSURE ASSEMBLY - GROUNDS OPENING | 1 |



680p0018

Figure 27. Coin Module

TABLE 27. COIN MODULE

| INDEX | PART NUMBER | DESCRIPTION | QTY |
|--|-------------|--|-----|
| 1 | 6233058 | CRANK ARM AND ROLLER ASSEMBLY | 1 |
| 2 | 9900418 | RETAINING RING - REINF TYPE E | 1 |
| 3 | 4977312 | MOTOR AND PC BOARD ASSEMBLY | 1 |
| 4 | 6805043 | COVER-HARNESS | 1 |
| 5 | 6805005 | INSERT-COIN | 1 |
| 6 | 6801053 | SLIDE-CANISTER SHELF | 2 |
| 7 | 6805030 | BRACKET-COIN MODULE-CATCH/LOCK | 1 |
| 8 | 6805031 | COIN MODULE CABINET ASSEMBLY-WARM WHITE | 1 |
| | 6805032 | COIN MODULE CABINET ASSEMBLY-CHARCOAL | |
| | 6805033 | COIN MODULE CABINET ASSEMBLY-SILVER METALIC | |
| 9 | 6805026 | WELD ASSEMBLY-COIN BOX W/RAMP | 1 |
| 10 | 3122056 | MAGNET-RETAINER-COIN CHANGER | 1 |
| 11 | 6805047 | WELD ASSEMBLY-BRACKET/HINGE ASSEMBLY-COIN MECH | 1 |
| 12 | 5900243 | COIN UNIT-TRC6512-MDB-CONSIGNMENT | 1 |
| | 5900213 | COIN UNIT-COINCO-9302-GX-MDB | |
| | 5900209 | COIN UNIT-CONLUX-USLZ-001-MDB | |
| | 5900244 | COIN UNIT-COINCO-USD-G701-MDB | |
| | 5900214 | COIN UNIT - MARS - VN 4510 - MDB | |
| NOTE: NATIONAL VENDORS DOES NOT PROVIDE COIN MECHANISMS FOR INTERNATIONAL APPLICATIONS. | | | |
| 13 | 6805020 | WELD ASSEMBLY-HINGE PLATE ASSEMBLY-COIN MOD | 1 |
| 14 | 6805001 | MONETARY KEYPAD ASSEMBLY | 1 |
| 15 | 6404067 | SPRING-EXTENSION | 1 |
| 16 | 6805025 | ARM-SCAVENGER | 1 |
| 17 | 6401024 | BEARING-ACCESS COVER | 2 |
| 18 | 6805045 | WELD ASSEMBLY-BRACKET-MOTOR | 1 |
| 19 | 6805034 | DOOR-COIN MODULE-WARM WHITE | 1 |
| | 6805035 | DOOR-COIN MODULE-CHARCOAL | |
| | 6805036 | DOOR-COIN MODULE-SILVER METALIC | |
| 20 | 6806007 | PCB ASSEMBLY-PRICE DISPLAY-CAFÉ 2/3 | 1 |
| 21 | 6801052 | LOCK-DOOR #1801 - KEY CODE NV4 | 1 |
| - | 2221920 | KEY - CHICAGO LOCK #1801 - NV407 (NOT SHOWN) | 1 |
| 22 | 6401053 | CAM-LOCK-CHICAGO #6-365Z | 1 |
| 23 | 6805004 | BRACKET-COIN CUP GATE | 1 |
| 24 | 4245083 | SPRING-COIN RETURN DOOR | 1 |
| 25 | 4245084 | SHAFT-DOOR-COIN RETURN | 1 |
| 26 | 4245082 | GATE-COIN RETURN | 1 |
| 27 | 6805050 | CUP-COIN RETURN | 1 |
| 28 | 6805007 | MEMBRANE SWITCH-COIN RETURN/LENS (U.S./U.K.) | 1 |
| | 6805008 | MEMBRANE SWITCH-COIN RETURN/LENS (FRANCE) | |
| | 6805009 | MEMBRANE SWITCH-COIN RETURN/LENS (GERMANY) | |
| | 6855049 | MEMBRANE SWITCH-COIN RETURN/LENS (FRENCH CANADIAN) | |

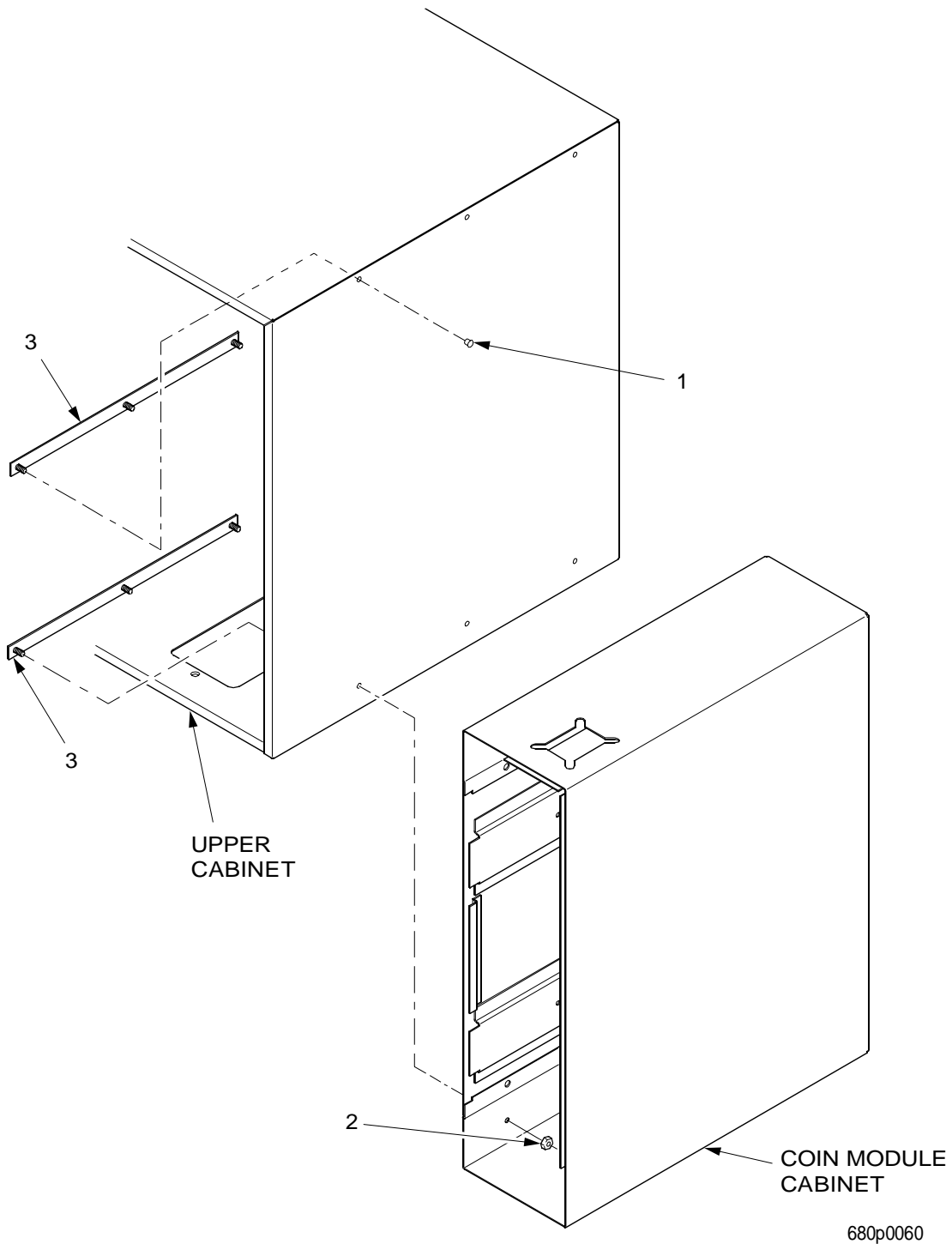


Figure 28. Upper Cabinet and Coin Module Cabinet Interconnection

TABLE 28. UPPER CABINET AND COIN MODULE CABINET INTERCONNECTION

| INDEX | PART NUMBER | DESCRIPTION | QTY |
|-------|-------------|---|-----|
| 1 | 6801023 | PLUG - DOME - BLACK (NO COIN OPTION - CHARCOAL OR GLACIER SILVER CABINET) | 6 |
| | 6801024 | PLUG - DOME - WHITE (NO COIN OPTION - WARM WHITE CABINET) | |
| 2 | 9900081 | NUT - #8-32 KEPS ZINC PLATE (WITH COIN OPTION) | 6 |
| 3 | 6805048 | WELD ASSY.-PLATE-COIN MOD.CAB. MOD - (WITH COIN OPTION) | 2 |

TABLE 29. LOGO AND LABEL ASSEMBLY

| PART NUMBER | DESCRIPTION | QTY |
|--------------------|--------------------------------|------------|
| 6802006 | LABEL - CAFÉ III LOGO | OPT |
| 6822003 | LABEL - CAFÉ IV LOGO | OPT |
| 6802070 | LABEL-CAFE 3-LOGO/INSTR.-ENGL. | |
| 6802071 | LABEL-CAFE 3-LOGO INSTR.-GER | |
| 6802072 | LABEL-CAFE 3-LOGO/INSTR-FRENCH | |
| 6802073 | LABEL-CAFE 3-LOGO/INSTR-CAN/FR | |
| 6822029 | LABEL-CAFE 4-LOGO/INSTRUCTIONS | |
| 6822030 | LABEL-CAFE 4-LOGO/INSTR-GERMAN | |
| 6822031 | LABEL-CAFE 4-LOGO/INSTR-FRENCH | |
| 6822032 | LABEL-CAFE 4-LOGO/INSTR-CAN/FR | |

TABLE 30. BAG ASSEMBLY B6800005 - U.S.

| PART NUMBER | DESCRIPTION | QTY |
|--------------------|------------------------------|------------|
| 6408139 | NUT & FERRULE ASSY-BRASS#4BT | 1 |
| 6408140 | TUBE-9082699-1/4 OD-2.00" | 1 |
| 6408141 | FITTING-PI-211208-S(RLC38014 | 1 |
| 6408142 | LOCKING CLIP-PI-C1808-R(LC14 | 1 |
| 6408143 | LOCKING CLIP-PI-C1812R (LC38 | 1 |
| 6800056 | CAFE 3 & 4-SETUP GUIDE | 1 |
| 6800057 | QUICK REFERENCE GUIDE-CAFE 3 | 1 |
| 6802047 | LABEL-CAUTION-PULL HERE-CAFE | 1 |
| 6802065 | LABEL-MENU INSERT-ENGLISH | 1 |
| 6840017 | LABEL-PRICE & CUP SZ-CAFE'SY | 1 |
| 6841073 | GASKET-FOAM | 1 |
| WD680003 | W.D.-CAFE'3 & 4 | 1 |

TABLE 31. BAG ASSEMBLY B6800006 - FRENCH CANADIAN

| PART NUMBER | DESCRIPTION | QTY |
|--------------------|------------------------------|------------|
| 6408139 | NUT & FERRULE ASSY-BRASS#4BT | 1 |
| 6408140 | TUBE-9082699-1/4 OD-2.00" | 1 |
| 6408141 | FITTING-PI-211208-S(RLC38014 | 1 |
| 6408142 | LOCKING CLIP-PI-C1808-R(LC14 | 1 |
| 6408143 | LOCKING CLIP-PI-C1812R (LC38 | 1 |
| 6800056 | CAFE 3 & 4-SETUP GUIDE | 1 |
| 6800057 | QUICK REFERENCE GUIDE | 1 |
| 6802047 | LABEL-CAUTION-PULL HERE-CAFE | 1 |
| 6802068 | LABEL-MENU INSERT-CAN/FR | 1 |
| 6840017 | LABEL-PRICE & CUP SZ-CAFE'SY | 1 |
| 6841073 | GASKET-FOAM | 1 |
| WD680003 | W.D.-CAFE'3 & 4 | 1 |

TABLE 32. BAG ASSEMBLY B6800007 - FRANCE

| PART NUMBER | DESCRIPTION | QTY |
|--------------------|------------------------------|------------|
| 6408139 | NUT & FERRULE ASSY-BRASS#4BT | 1 |
| 6408140 | TUBE-9082699-1/4 OD-2.00 | 1 |
| 6408141 | FITTING-PI-211208-S(RLC38014 | 1 |
| 6408142 | LOCKING CLIP-PI-C1808-R(LC14 | 1 |
| 6408143 | LOCKING CLIP-PI-C1812R (LC38 | 1 |
| 6800056 | CAFE 3 & 4-SETUP GUIDE | 1 |
| 6800057 | QUICK REFERENCE GUIDE | 1 |
| 6802051 | LABEL-CAUTION-PULL HERE-FR | 1 |
| 6802067 | LABEL-MENU INSERT-FRENCH | 1 |
| 6840050 | LABEL-PRICE & CU SZ-CAFE'-FR | 1 |
| 6841073 | GASKET-FOAM | 1 |
| WD680003 | W.D.-CAFE'3 & 4 | 1 |

TABLE 33. BAG ASSEMBLY B6800008 - GERMANY

| PART NUMBER | DESCRIPTION | QTY |
|--------------------|------------------------------|------------|
| WD680003 | W.D.-CAFE'3 & 4 | 1 |
| 1300018 | BAG PLASTIC | 1 |
| 6802066 | LABEL-MENU INSERT-GERMAN | 1 |
| 6800056 | CAFE 3 & 4-SETUP GUIDE | 1 |
| 6800057 | QUICK REFERENCE GUIDE-CAFE 3 | 1 |
| 6800026 | SHEET-QUICK REF.CARD STK (OB | 1 |
| 6802052 | LABEL-CAUTION-PULL HERE-GER | 1 |
| 6840051 | LABEL-PRICE & CUP SZ-CAFE'G | 1 |
| 6841073 | GASKET-FOAM | 1 |
| 6408139 | NUT & FERRULE ASSY-BRASS#4BT | 1 |
| 6408140 | TUBE-9082699-1/4 OD-2.00 | "1 |
| 6408141 | FITTING-PI-211208-S(RLC38014 | 1 |
| 6408142 | LOCKING CLIP-PI-C1808-R(LC14 | 1 |
| 6408143 | LOCKING CLIP-PI-C1812R (LC38 | 1 |

TABLE 34. BAG ASSEMBLY B6800009 - U.K.

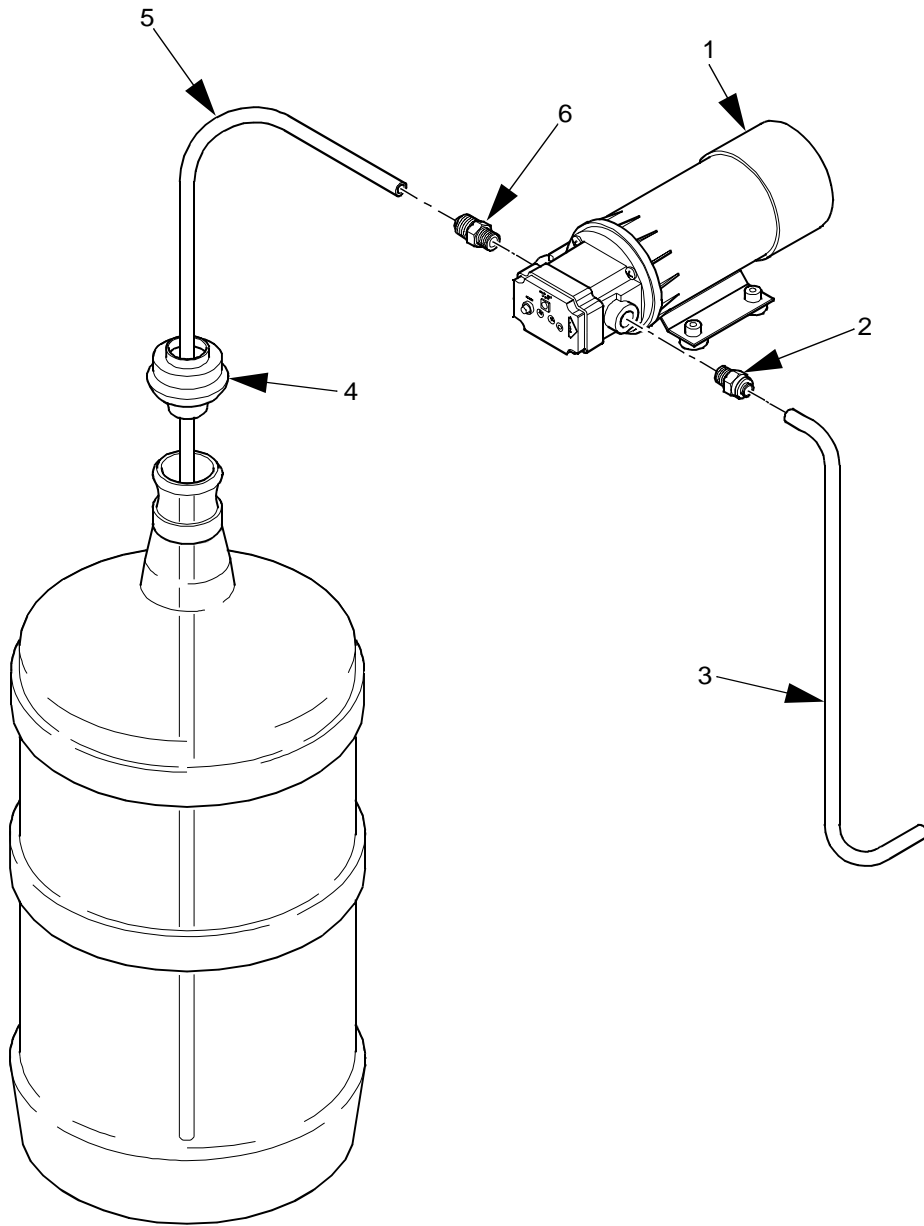
| PART NUMBER | DESCRIPTION | QTY |
|--------------------|------------------------------|------------|
| WD680003 | W.D.-CAFE'3 & 4 | 1 |
| 1300018 | BAG PLASTIC | 1 |
| 6800056 | CAFE 3 & 4-SETUP GUIDE | 1 |
| 6800057 | QUICK REFERENCE GUIDE-CAFE 3 | 1 |
| 6802065 | LABEL-MENU INSERT-ENGLISH | 1 |
| 6802047 | LABEL-CAUTION-PULL HERE-CAFE | 1 |
| 6840052 | LABEL-PRICE & CUP SIZE-U.K. | 1 |
| 6841073 | GASKET-FOAM | 1 |
| 6408139 | NUT & FERRULE ASSY-BRASS#4BT | 1 |
| 6408140 | TUBE-9082699-1/4 OD-2.00 | "1 |
| 6408141 | FITTING-PI-211208-S(RLC38014 | 1 |
| 6408142 | LOCKING CLIP-PI-C1808-R(LC14 | 1 |
| 6408143 | LOCKING CLIP-PI-C1812R (LC38 | 1 |

TABLE 35. UPPER CABINET ASSEMBLY - PART 8 - WIRE HARNESSSES

| PART NUMBER | DESCRIPTION |
|--------------------|--|
| 4279001 | JUMPER - 230 V TRANSFORMER PRIMARY |
| 6809000 | HARNESS - VEND VALVES (ALL MODELS) |
| 6809002 | HARNESS - TRANSFORMER (ALL MODELS) |
| 6809003 | HARNESS - CABINET (ALL MODELS) |
| 6809004 | HARNESS - DRAIN AND CABINET SWITCH (ALL MODELS) |
| 6809005 | HARNESS - CONTROLLER TO DOOR (ALL MODELS) |
| 6809007 | HARNESS - 2 PRODUCT AND 1 WHIPPER (680/681) |
| 6809008 | HARNESS - PAPER CUTTER ASSEMBLY (680/682) |
| 6809010 | HARNESS - BREW MOTOR FILTER (680/682) |
| 6809011 | HARNESS - BREWER ASSEMBLY (680/682) |
| 6809012 | HARNESS - CUTTER REVERSE PCB (ALL MODELS) |
| 6809021 | HARNESS - TEMP AND LEVEL PROBES (ALL MODELS) |
| 6809030 | HARNESS - EXHAUST FAN (ALL MODELS) |
| 6829000 | HARNESS - #1 WHIPPER (681/683) |
| 6829007 | HARNESS - 3 PRODUCT AND 2 WHIPPERS (682/683) |
| 9989576 | POWER CORD - W/BSI PLUG (U.K.) (ALL MODELS) |
| 9989577 | POWER CORD - EURO PLUG (FRANCE/GERMANY) (ALL MODELS) |
| 9989781 | POWER CORD - 14AWG - DOM (ALL MODELS) |

TABLE 36. UPPER CABINET ASSEMBLY - PART 9 - TUBING

| PART NUMBER | DESCRIPTION |
|--------------------|---|
| 3618105 | TUBING - UK SILICONE - .375 X .562 |
| 6138094 | CONNECTOR - "Y" TYPE (FRESH BREW ONLY) |
| | LOCATED BETWEEN BREWER PUMP OUTPUT AND DISPENSING SPOUT FOR BREWED SELECTIONS |

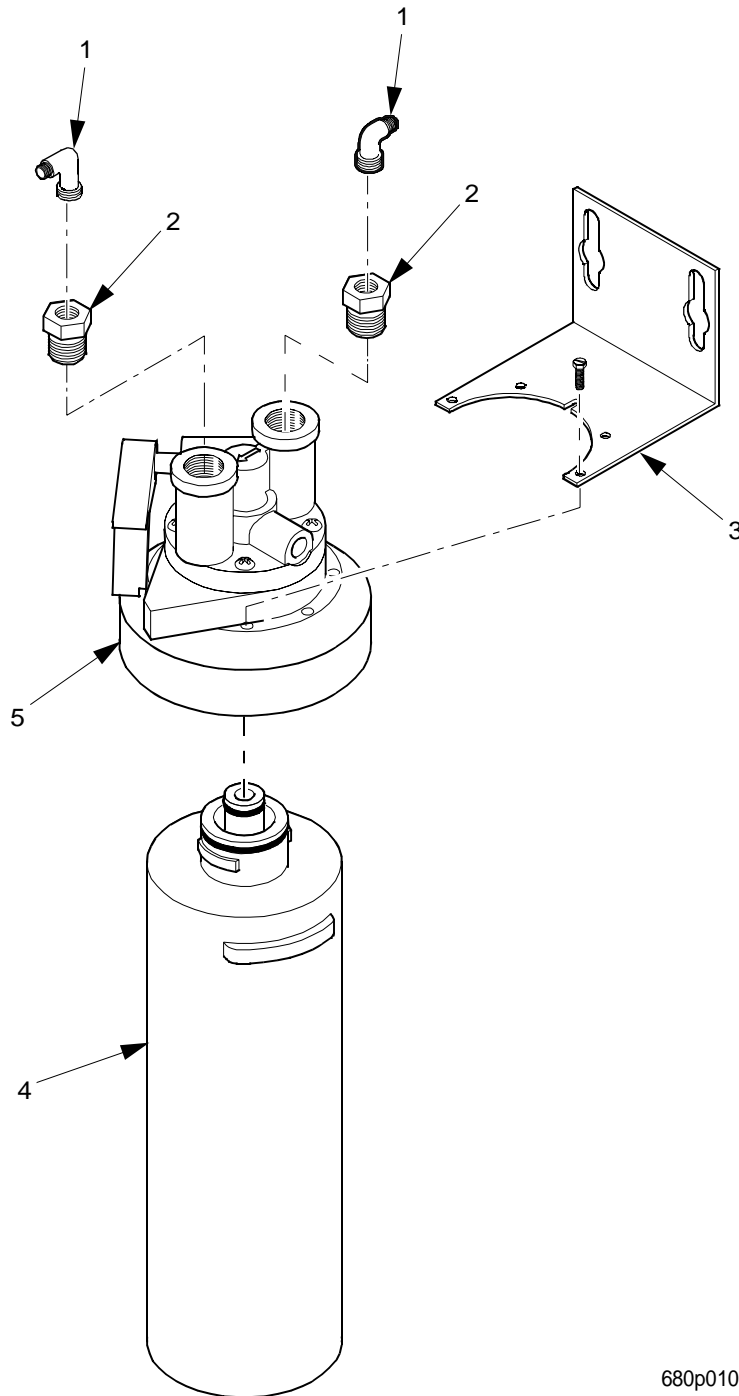


640p0114

Figure 37. Bottled Water Pump Accessory

TABLE 37. BOTTLED WATER PUMP ACCESSORY

| INDEX | PART NUMBER | DESCRIPTION | QTY |
|-------|-------------|---------------------------------|-----|
| - | P6400827 | BOTTLED WATER PUMP PKG.-115V | 1 |
| | P6400858 | BOTTLED WATER PUMP PKG.-230V | OPT |
| 1 | 6408217 | PUMP-WATER-FLOJET#2125-504-115V | 1 |
| | 6408226 | PUMP-WATR SPLY#2125-503-230V | |
| 2 | 6408221 | FITTING-COLE-PARMER#M-06372- | 1 |
| 3 | 6408222 | 1/4 O.D.COPPER-120" LONG | 1 |
| 4 | 6408213 | COVER/FLTR-WATR BTL#EBCO0267 | 1 |
| 5 | 6408219 | 3/8 TUBE-6408220-WATER BOTTL | 1 |
| 6 | 6408214 | FITTING-COLE PARMER#M-06372- | 1 |



680p0106

Figure 38. Everpure Water Filter Accessory

TABLE 38. EVERPURE WATER FILTER ACCESSORY

| INDEX | PART NUMBER | DESCRIPTION | QTY |
|-------|-------------|--|----------|
| - | P6808026 | FILTER HEAD ASSY-EVERPURE | 1 OPT |
| 1 | 6848009 | MALE ELBOW-BRASS-#4-4 CB12 | 2 |
| 2 | 6408117 | BUSHING-1/4X3/8-BRASS-209P-6-4 | 2 |
| 3 | 3158023 | BRACKT-MNTNG-WTR FILTR#3046-44 | 1 |
| 4 | 6408135 | WATER FLTR-EVRPUR #9618-12 OCS CARTRIDGE-12 PACK | 1 |
| 5 | 6408134 | FILTER HEAD-EVERPURE #9257-12-HO-P WITHOUT BRACKET | 1 |